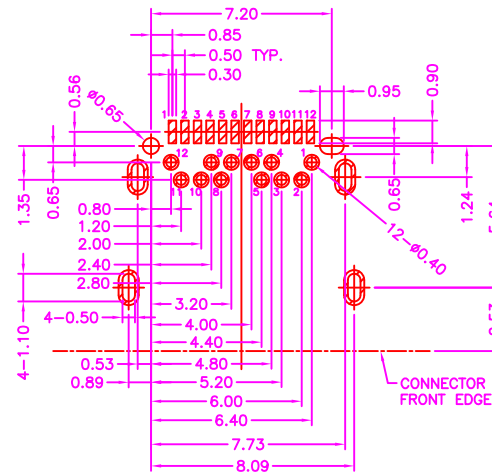
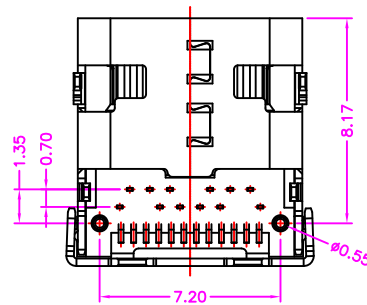
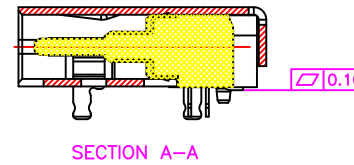
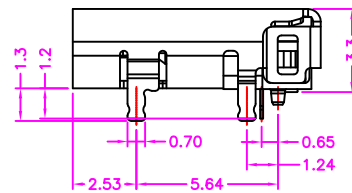
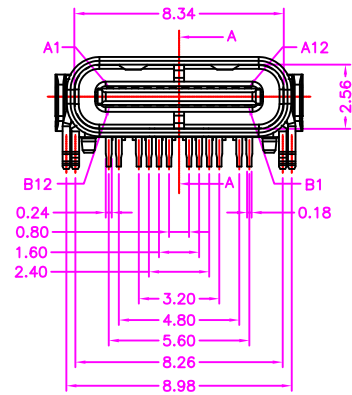


### MATERIALS

HOUSING: HI-TEMP. PLASTIC (UL 94V-0), BLACK  
 SHELL: STAINLESS STEEL, NICKEL PLATING  
 TERMINAL: COPPER ALLOY, GOLD PLATED ON CONTACT AREA  
 TIN PLATING ON SOLDER TAIL

### SPECIFICATION

CURRENT RATING:  
 1.5A/PIN MAX (A4,A9,B4,B9)  
 1.25A/PIN MAX (A1,A12,B1,B12)  
 0.25A FOR ALL THE OTHERS CONTACTS  
 DIELECTRIC WITHSTANDING: 300V AC FOR ONE MINUTE  
 CONTACT RESISTANCE: 40m OHMS MAX  
 INSULATION RESISTANCE: 100M OHMS MIN AT DC 300V  
 OPERATION TEMPERATURE: -40°C~+85°C



### USB TYPE C PIN ASSIGNMENTS

PIN NUMBER	SIGNAL NAME	PIN NUMBER	SIGNAL NAME
A1	GND	B12	GND
A2	TX1+	B11	TX1+
A3	TX1-	B10	TX1-
A4	VBUS	B9	VBUS
A5	CC1	B8	SBU2
A6	DP1	B7	DN2
A7	DN1	B6	DP2
A8	SBU1	B5	CC2
A9	VBUS	B4	VBUS
A10	RX2-	B3	TX2-
A11	RX2+	B2	TX2+
A12	GND	B1	GND

RoHS Compliant

TOLERANCES ARE

**MORETHANALL**  
 PCB CONNECTORS  
 Cable ASSEMBLIES

DRAWING BY CY

X. ± 0.40

CHECKED BY GENIUS

.X ± 0.30

UNIT / mm

SCALE 1 : 1

.XX ± 0.20

DATE

.XXX ± 0.10

ANG ±

SIZE A4

PJECTION

照片框

### ORDER INFORMATION

USB-SRWMM8982PS-24C-LF  
 SERIES | | | | LEADFREE  
 FEMALE | | | | 24 PIN C TYPE  
 DIP 90° | | | | W/SPRING  
 | | | | POST  
 | | | | METAL FOOT 8.98mm+8.26mm  
 90°SMT

DESCRIPTION: USB C TYPE, PCB MOUNT, SMT, METAL SHIELD, WITH POST, 24PIN, FEMALE

煜倫股份有限公司

www.morethanall.com