

NOTE:

1.MATERIAL:

- 1.1 INSULATOR: HIGH TEMPERATURE PLASTIC UL 94 V-0;
- 1.2 CONTACT: COPPER ALLOY
- 1.3 SHELL:STAINLESS STEEL

2.ELECTRICAL CHARACTERISTICS;

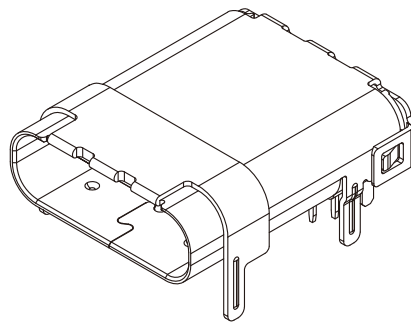
- 2.1 CONTACT RESISTANCE: 40m Ω Max FOR INITIAL. 30m Ω CHANGE AFTER TEST. MEASURE AT 20mV, 100mA.
- 2.2 CONTACT CURRENT RATING: 5A FOR VBUS PIN; 1.25A FOR VCONN PIN.
- 2.3 DIELECTRIC WITHSTANDING VOLTAGE: 100V AC R.M.S.
- 2.4 INSULATION RESISTANCE 100M Ω Min
- 2.5 OPERATING TEMPERATURE: -40°C ~ 85°C

3 MECHANICAL CHARACTERISTICS:

- 3.1 MATING FORCE: 5~20 N.
- 3.2 UNMATED FORCE: 8~20N AFTER TEST
- 3.3 DURABILITY: 10,000 CYCLES

4.PLATING

- 4.1 TERMINAL CONTACT: (SEE TAB) GOLD PLATING ALL OVER 50u" Min NICKEL AND 80u"Min Tin ALL OVER 50u" Min NICKEL ON SOLDER AREA
- 4.2 SHELL: 50u" Min. NICKEL ALL OVER,



RoHS Compliant

TOLERANCES ARE

MORETHANALL
PCB CONNECTORS
Cable ASSEMBLIES

DRAWING BY CY

X. \pm 0.45

CHECKED BY GENIUS

.X \pm 0.30

UNIT / mm

SCALE 1 : 1

.XX \pm 0.20

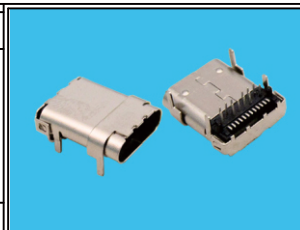
DATE

.XXX \pm

ANG \pm

SIZE A4

PJECTION



ORDER INFORMATION

USB-SRWMM8982P-24C-LF
SERIES | | | | | LEADFREE
FEMALE | | | | | 24 PIN C TYPE
90°SMT | | | | | METAL FOOT 8.94mm/8.26mm
DIP 90°

DESCRIPTION: USB 3.1 C TYPE FEMALE

煜倫股份有限公司

www.morethanall.com