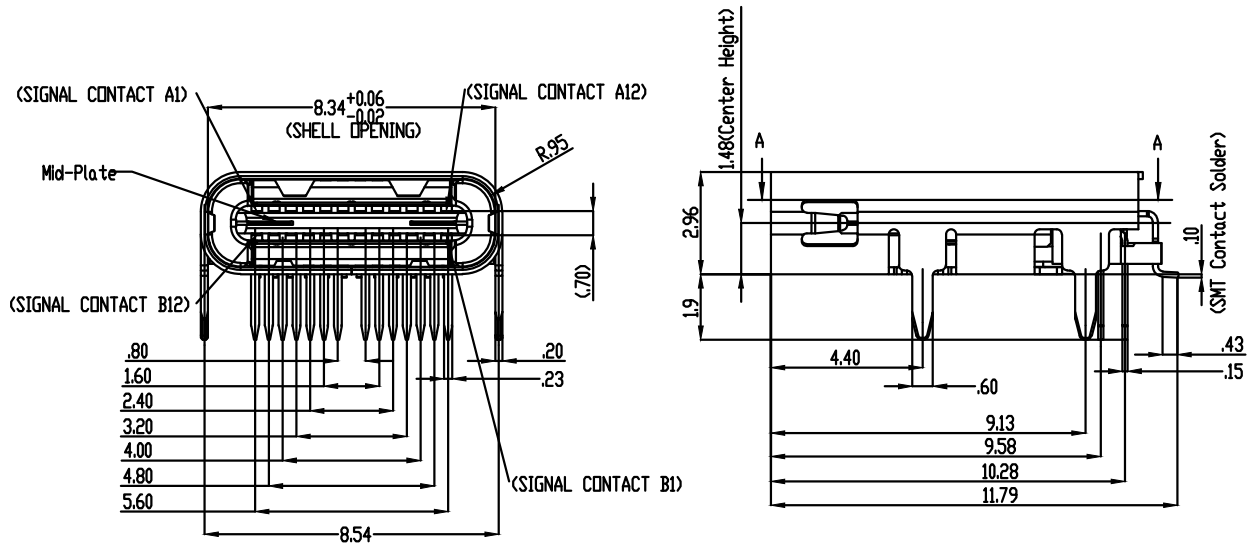


SPECIFICATION
MATERIAL
 Insulator: Thermoplastic,Black
 Contacts: BRASS
 Shell:Stainless Steel
CONTACT PLATING
 Underplate: 40u"~80u" Nickel
 Contact area: 30u" Pd-Ni+2u" Selective gold,
 Solder tails area: 100u"~200u" Tin (Lead Free)
ELECTRICAL
 Operation voltage: 20 V
 Current rating: 5 Amps max.
 Insulation resistance: 100 Mohms min @ 100 VDC
 Dielectric withstanding voltage: 100 VAC / minute
 Temperature range: -40°C to +105°C
 Mating cycles: 10,000 insertions



RoHS Compliant

TOLERANCES ARE



DRAWING BY CY

X, ±

CHECKED BY GENIUS

.X ± 0.30

UNIT / mm

SCALE 1 : 1

.XX ± 0.25

DATE

.XXX ± 0.15

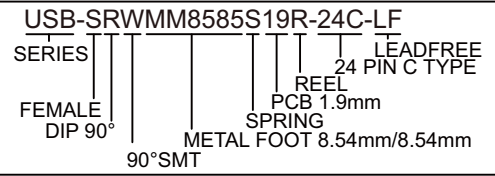
ANG ±

SIZE A4

PJECTION

照片框

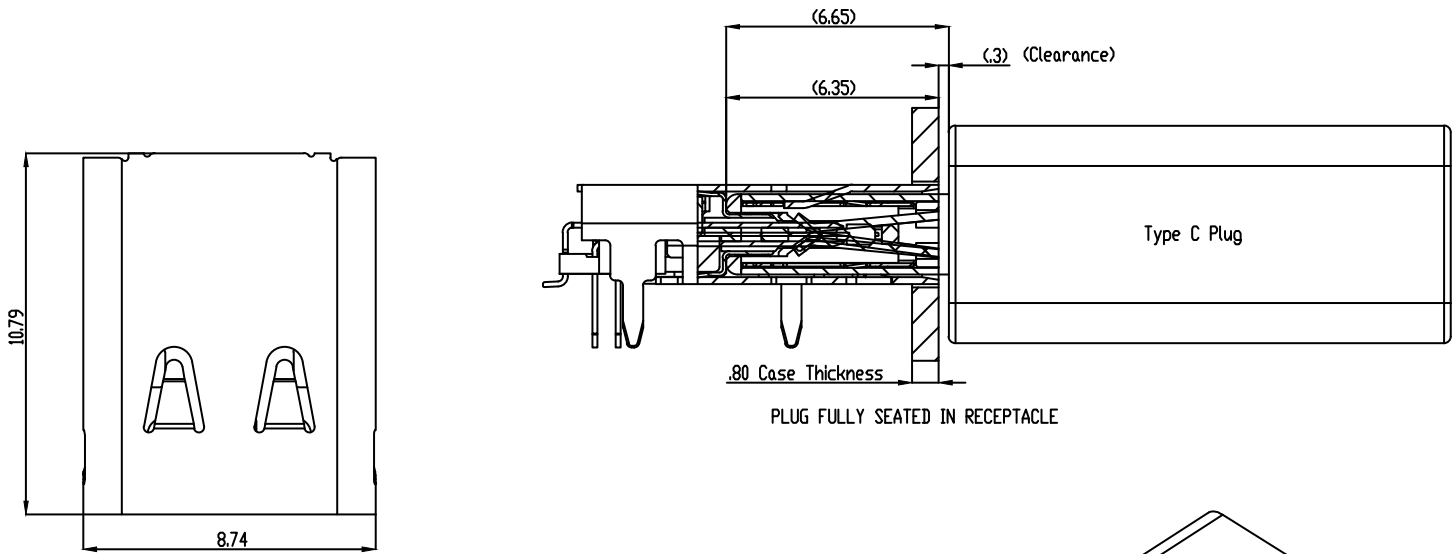
ORDER INFORMATION



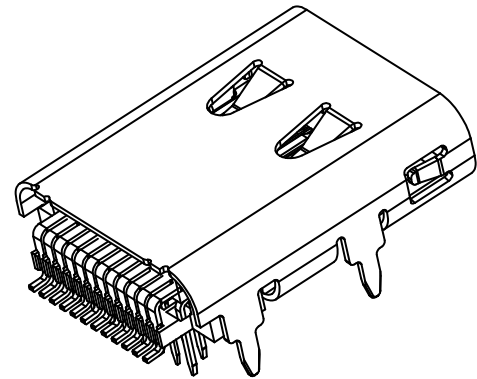
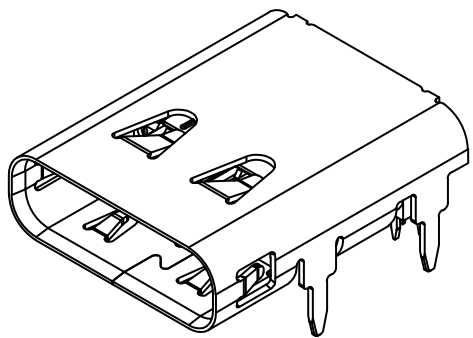
DESCRIPTION:

煜倫股份有限公司

www.morethanall.com



PLUG FULLY SEATED IN RECEPTACLE



RoHS Compliant

TOLERANCES ARE

MORETHANALL
PCB CONNECTORS
Cable ASSEMBLIES

DRAWING BY CY

X, ±

CHECKED BY GENIUS

.X ± 0.30

UNIT / mm

SCALE 1 : 1

.XX ± 0.25

DATE

.XXX ± 0.15

ANG ±

煜倫股份有限公司

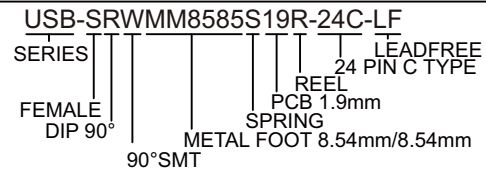
www.morethanall.com

SIZE A4

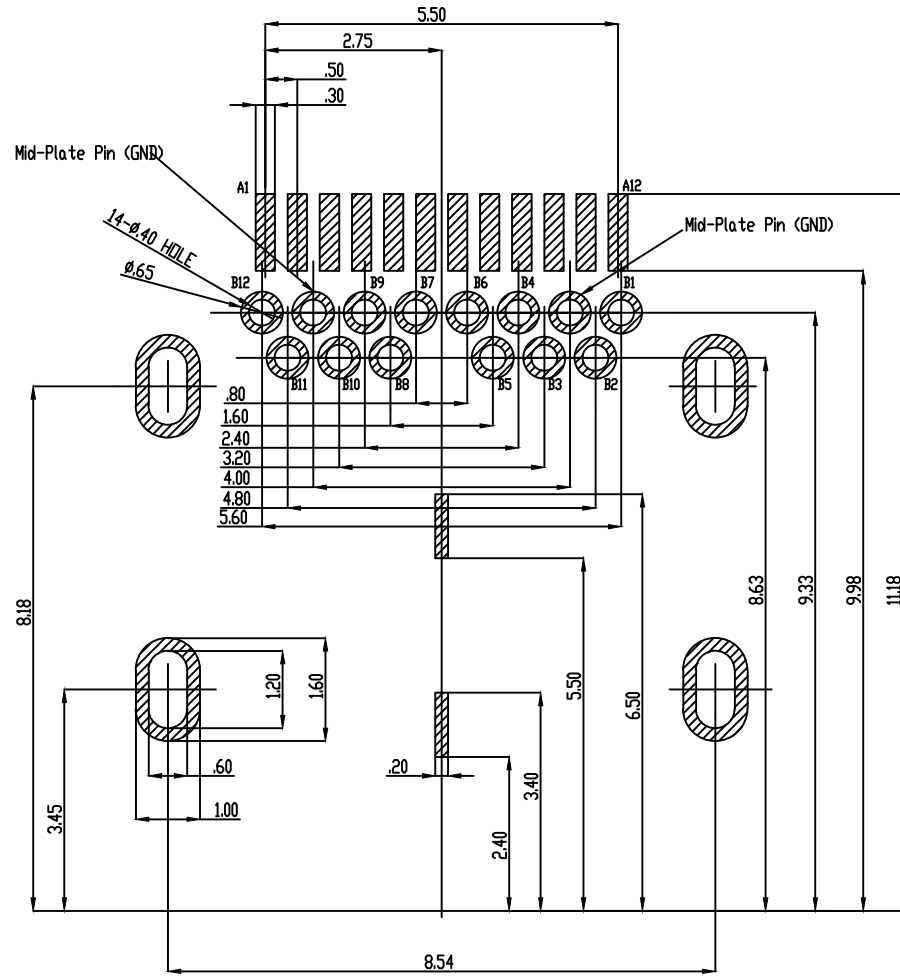
PJECTION

照片框

ORDER INFORMATION



DESCRIPTION:



Recommended PCB LAYOUT
 TOLANCE ±0.05
 PCB Tickness = 1.0 For 1.50 Solder tail
 1.6 For 1.90 Solder tail

USB TYPE -C Pin Assignments

Pin Number	Signal Name	Pin Number	Signal Name
A1	GND	B12	GND
A2	SSTXp1	B11	SSRXp1
A3	SSTXn1	B10	SSRXn1
A4	VBUS	B9	VBUS
A5	CC1	B8	SBU2
A6	Dp1	B7	Dn2
A7	Dn1	B6	Dp2
A8	SBU1	B5	CC2
A9	VBUS	B4	VBUS
A10	SSRXn2	B3	SSTXn2
A11	SSRXp2	B2	SSTXp2
A12	GND	B1	GND

RoHS Compliant

TOLERANCES ARE



DRAWING BY CY

CHECKED BY GENIUS

UNIT / mm SCALE 1 : 1

DATE

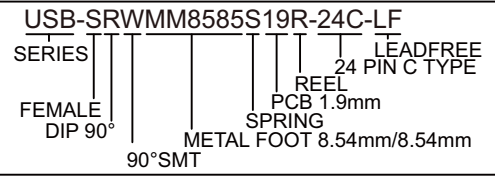
SIZE A4

X, ±
 .X ± 0.30
 .XX ± 0.25
 .XXX ± 0.15
 ANG ±

PJECTION

照片框

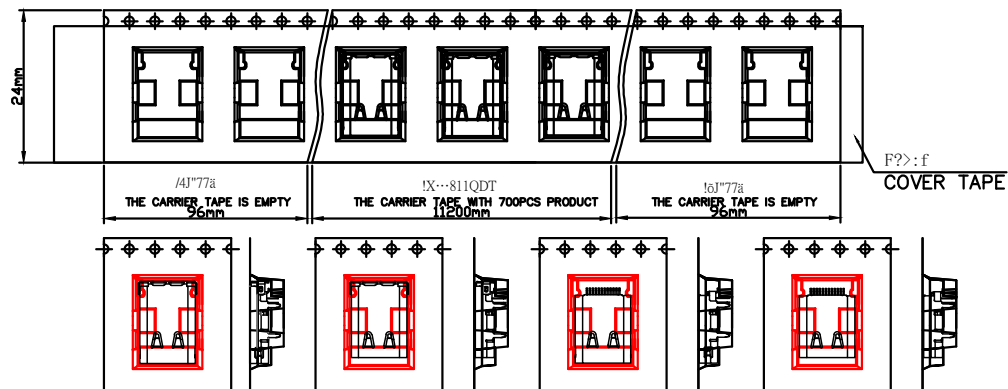
ORDER INFORMATION



DESCRIPTION:

煜倫股份有限公司

www.morethanall.com

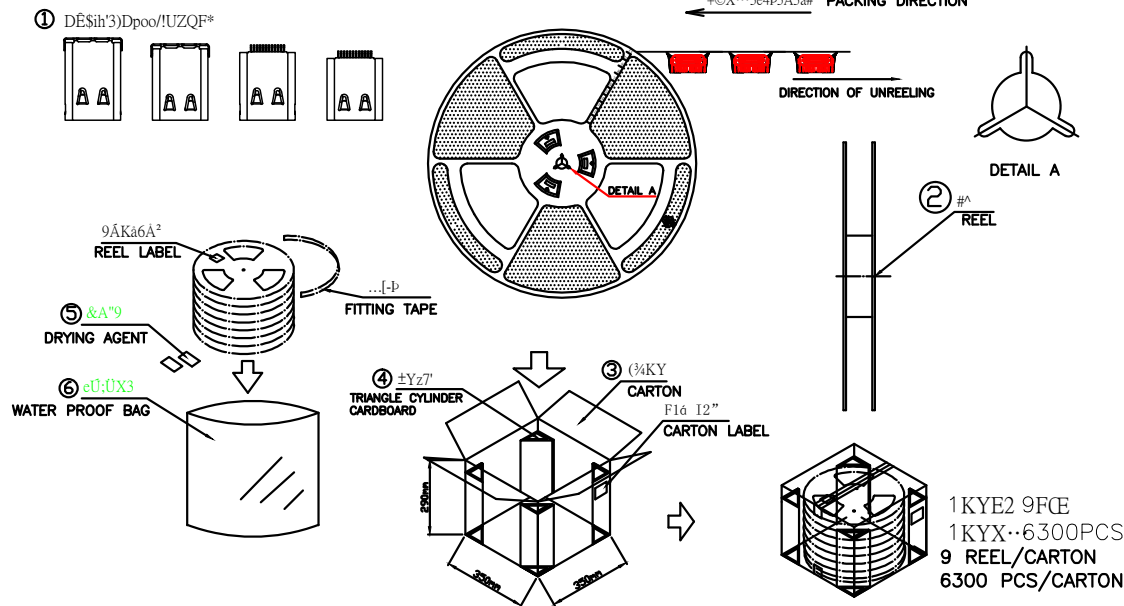


NOTES

1. MATERIALS: PS
2. PACKING: TAPE REEL(700PCS/REEL,6300PCS/CARTON)
3. SONY SS-00259 or RoHS
All Material in According With The RoHS Environment Related Substances List Controlled.
(包裝：紙箱，膠帶，紙張，REEL，填充物等不含禁用品)

1. 外箱底部先墊一片紙板。
Fill in a corrugated paper board
2. 外箱四個內角加入三角板支撐
Put 4 triangle cylinder cardboard in all corner.
3. 把5卷封好的產品平放進防水袋，並放入四包干燥劑，再一起平放進外箱。
Put 5 reels of products into water proof bag, with 4pcs of drying agent.
4. 注意REEL之標籤一律朝上
Make all reel label side up.
5. 接上一工站，上層放一片紙板
Cover with corrugated paper board.
6. 標籤貼於紙箱外側右上方
As the indication sticking the label at the certain place of carton.

8	TRIANGLE CYLINDER CARDBOARD		4pcs
7	Paperboard	330*330*3	2pcs
6	CARTON	350*350*290	1pcs
5	Waterproof Bag	600*600*0.05	1pcs
4	Drier		4pcs
3	REEL	24*13.0	1pcs
2	COVER TAPE	21.5*15	700pcs/11.492m
1	CARRIER TAPE	13*24mm	700pcs/11.392m
ITEMS	Part Name	Specification	Q'ty



RoHS Compliant

TOLERANCES ARE

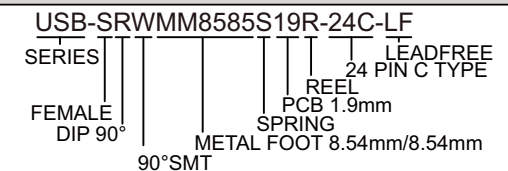
MORETHANALL
PCB CONNECTORS
Cable ASSEMBLIES
煜倫股份有限公司

DRAWING BY CY
CHECKED BY GENIUS
UNIT / mm SCALE 1 : 1
DATE
SIZE A4 PPROJECTION

X, ±
.X ± 0.30
.XX ± 0.25
.XXX ± 0.15
ANG ±

照片框

ORDER INFORMATION



DESCRIPTION:

www.morethanall.com