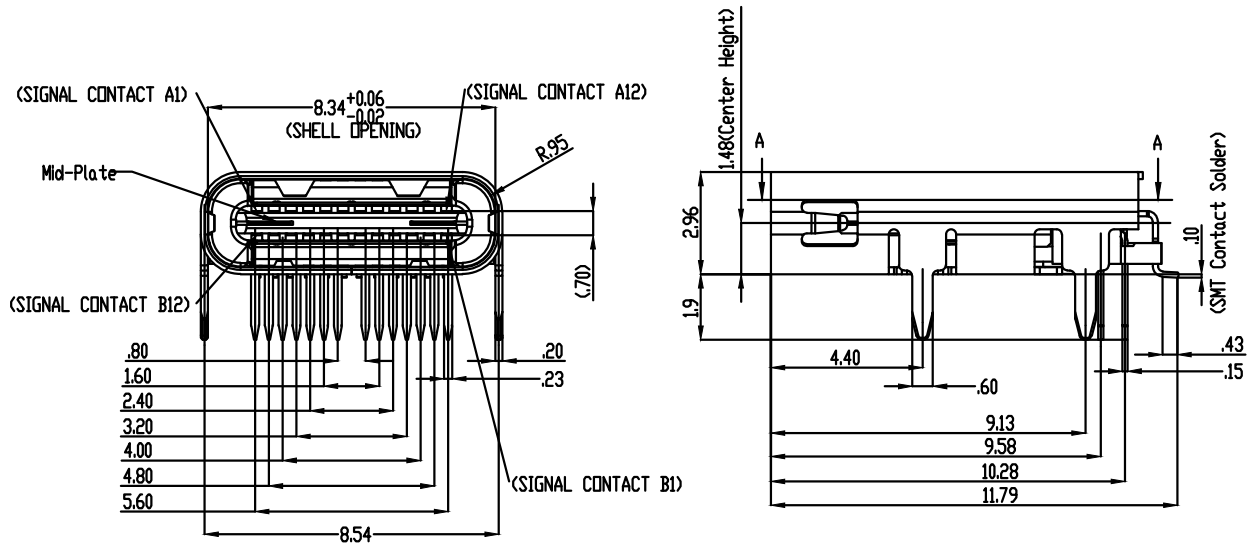


SPECIFICATION
MATERIAL
 Insulator: Thermoplastic, Black
 Contacts: BRASS
 Shell: Stainless Steel
CONTACT PLATING
 Underplate: 40u"~80u" Nickel
 Contact area: 30u" Pd-Ni+2u" Selective gold,
 Solder tails area: 100u"~200u" Tin (Lead Free)
ELECTRICAL
 Operation voltage: 20 V
 Current rating: 5 Amps max.
 Insulation resistance: 100 Mohms min @ 100 VDC
 Dielectric withstanding voltage: 100 VAC / minute
 Temperature range: -40°C to +105°C
 Mating cycles: 10,000 insertions

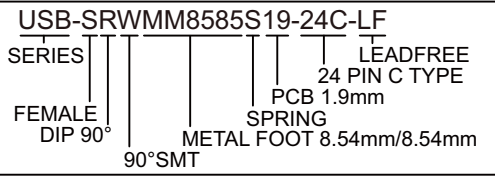


RoHS Compliant

TOLERANCES ARE

照片框

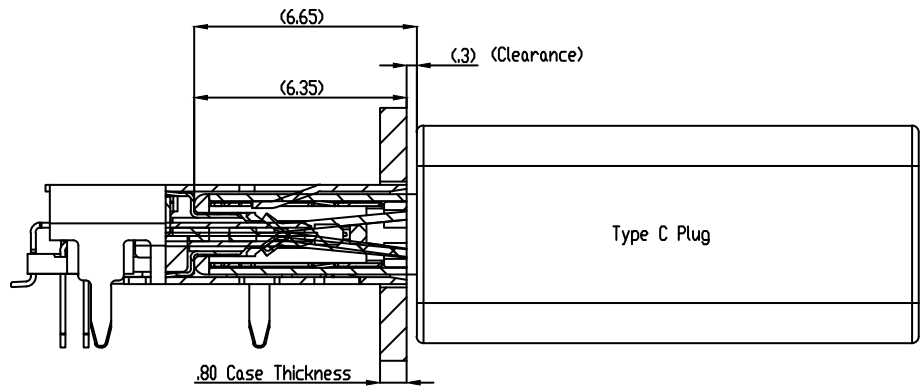
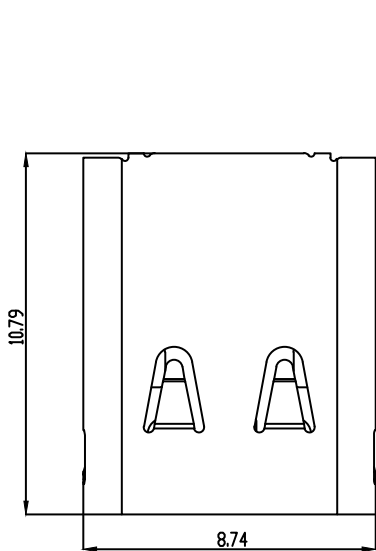
ORDER INFORMATION



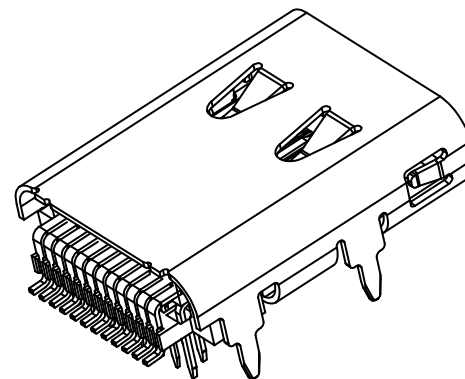
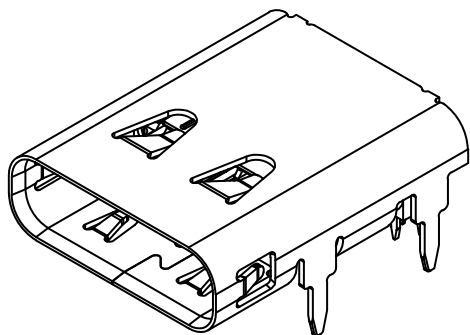
MORETHANALL
 PCB CONNECTORS
 Cable ASSEMBLIES
 煜倫股份有限公司
 www.morethanall.com

DRAWING BY CY		X, ±
CHECKED BY GENIUS		.X ± 0.30
UNIT / mm	SCALE 1 : 1	.XX ± 0.25
DATE		.XXX ± 0.15
SIZE A4	PJECTION	ANG ±

DESCRIPTION:



PLUG FULLY SEATED IN RECEPTACLE



RoHS Compliant

TOLERANCES ARE

MORETHANALL
PCB CONNECTORS
Cable ASSEMBLIES

DRAWING BY CY

X, ±

CHECKED BY GENIUS

.X ± 0.30

UNIT / mm

SCALE 1 : 1

.XX ± 0.25

DATE

.XXX ± 0.15

ANG ±

照片框

ORDER INFORMATION

USB-SRWMM8585S19-24C-LF
SERIES | LEADFREE
24 PIN C TYPE
FEMALE | SPRING
DIP 90° | METAL FOOT 8.54mm/8.54mm
90°SMT

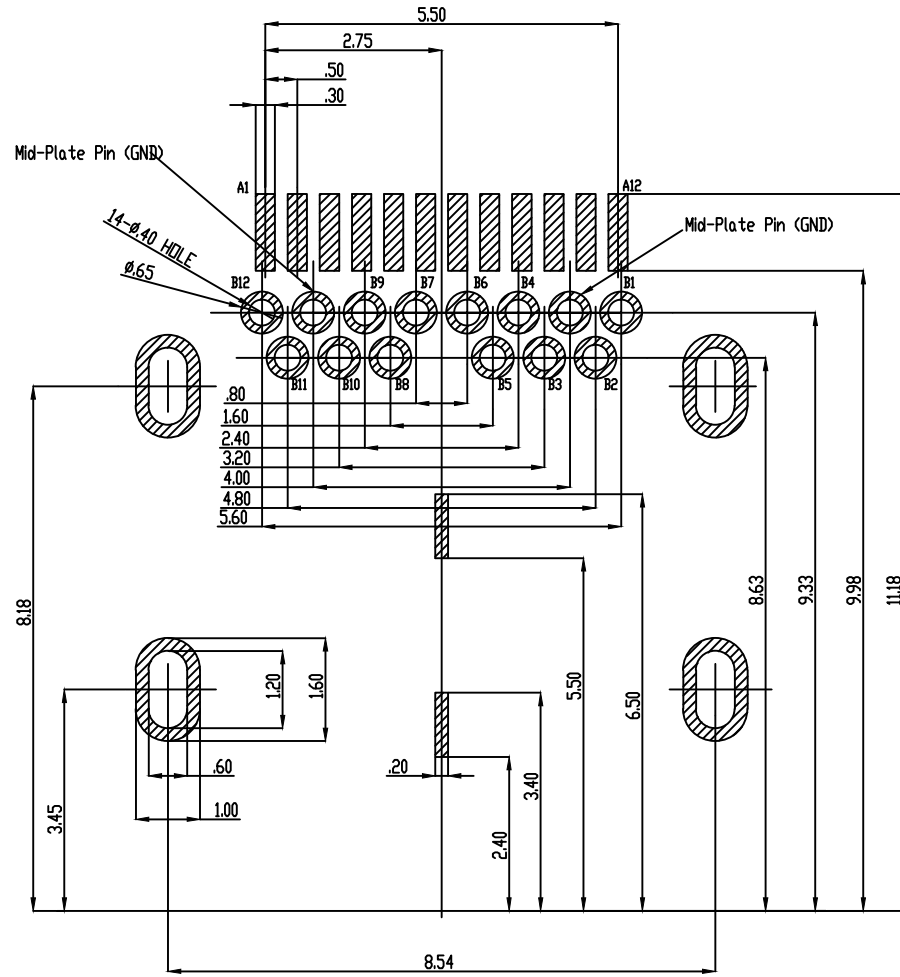
煜倫股份有限公司

www.morethanall.com

SIZE A4

PJECTION

DESCRIPTION:



Recommended PCB LAYOUT
 TOLANCE ±0.05
 PCB Tickness = 1.0 For 1.50 Solder tail
 1.6 For 1.90 Solder tail

USB TYPE -C Pin Assignments

Pin Number	Signal Name	Pin Number	Signal Name
A1	GND	B12	GND
A2	SSTXp1	B11	SSRXp1
A3	SSTXn1	B10	SSRXn1
A4	VBUS	B9	VBUS
A5	CC1	B8	SBU2
A6	Dp1	B7	Dn2
A7	Dn1	B6	Dp2
A8	SBU1	B5	CC2
A9	VBUS	B4	VBUS
A10	SSRXn2	B3	SSTXn2
A11	SSRXp2	B2	SSTXp2
A12	GND	B1	GND

RoHS Compliant

TOLERANCES ARE

MORETHANALL
 PCB CONNECTORS
 Cable ASSEMBLIES

DRAWING BY CY

CHECKED BY GENIUS

UNIT / mm

SCALE 1 : 1

DATE

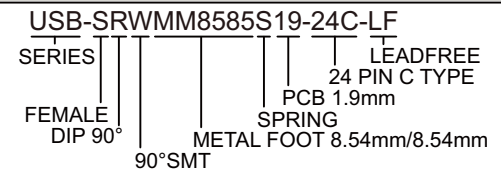
SIZE A4

X, ±
 .X ± 0.30
 .XX ± 0.25
 .XXX ± 0.15
 ANG ±

PJECTION

照片框

ORDER INFORMATION



煜倫股份有限公司

www.morethanall.com

DESCRIPTION: