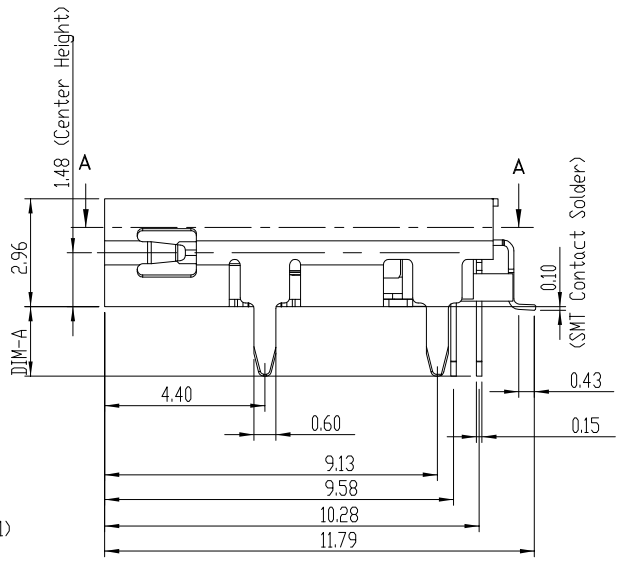
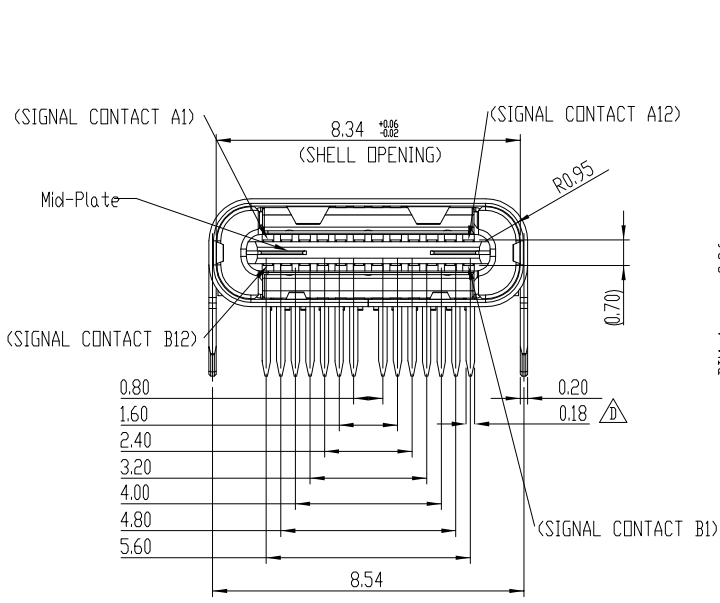


SPECIFICATION
MATERIAL
 Insulator: Thermoplastic, Black rated UL94V-0
 Contacts: BRASS
 Shell: Stainless Steel
CONTACT PLATING
 Underplate: 40u"~80u" Nickel
 Contact area: 30u" Pd-Ni+2u" Selective gold,
 Solder tails area: 100u"~200u" Tin (Lead Free)
ELECTRICAL
 Operation voltage: 20 V
 Current rating: 5 Amps max.
 Insulation resistance: 100 Mohms min @ 100 VDC
 Dielectric withstanding voltage: 100 VAC / minute
 Temperature range: -40°C TO +105°C
 Mating cycles: 10,000 insertions



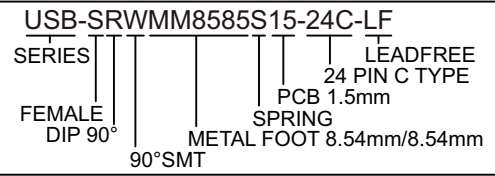
	PCB 1.0mm
DIM-A	1.50mm

RoHS Compliant

TOLERANCES ARE

照片框

ORDER INFORMATION



MORETHANALL
 PCB CONNECTORS
 Cable ASSEMBLIES

煜倫股份有限公司

www.morethanall.com

DRAWING BY CY

CHECKED BY GENIUS

UNIT / mm SCALE 1 : 1

DATE

SIZE A4

X. ± 0.50

.X ± 0.30

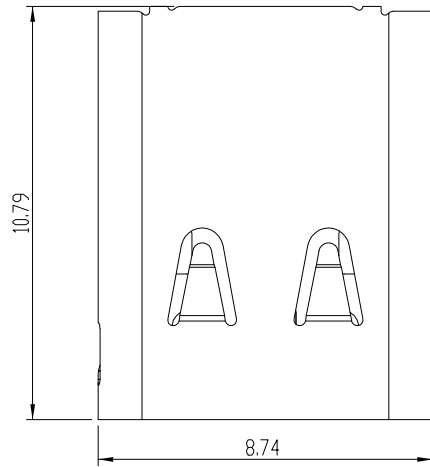
.XX ± 0.20

.XXX ±

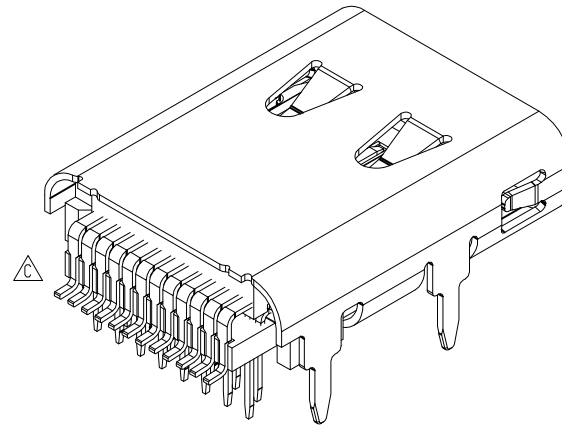
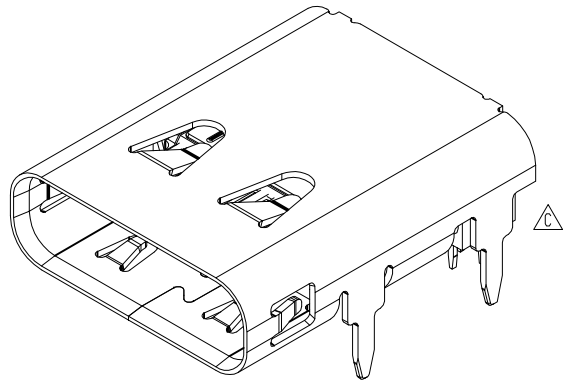
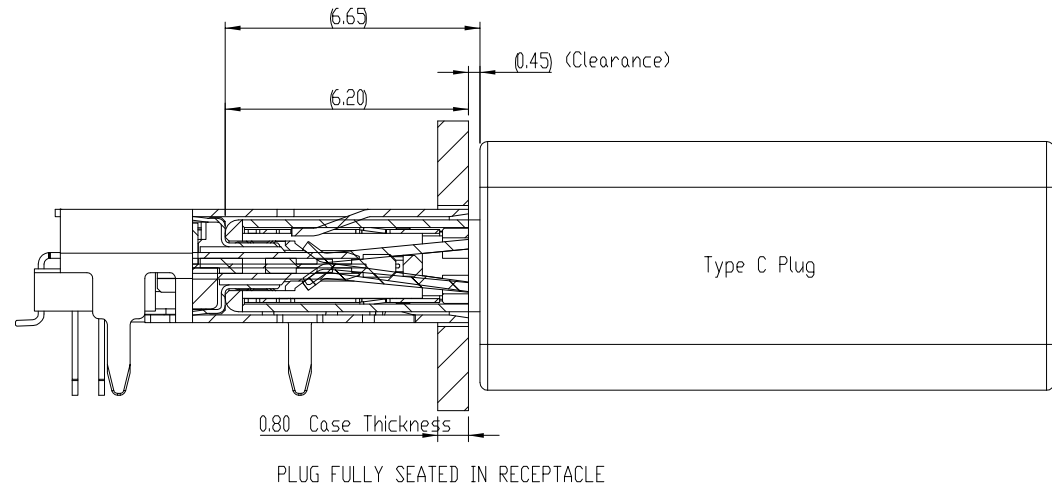
ANG ± 5°

PJECTION

DESCRIPTION: USB TYPE C Receptacle (W/O Rear Cover Type)
 (Insertion distance 6.20mm)



C0X0C logo



RoHS Compliant

TOLERANCES ARE

MORETHANALL
PCB CONNECTORS
Cable ASSEMBLIES

DRAWING BY CY

X. ± 0.50

CHECKED BY GENIUS

.X ± 0.30

UNIT / mm

SCALE 1 : 1

.XX ± 0.20

DATE

.XXX ±

ANG ± 5°

照片框

ORDER INFORMATION

USB-SRWMM8585S-24C-LF
SERIES | FEMALE | 90°SMT
DIP 90° | METAL FOOT 8.54mm/8.54mm | LEADFREE
24 PIN C TYPE | SPRING

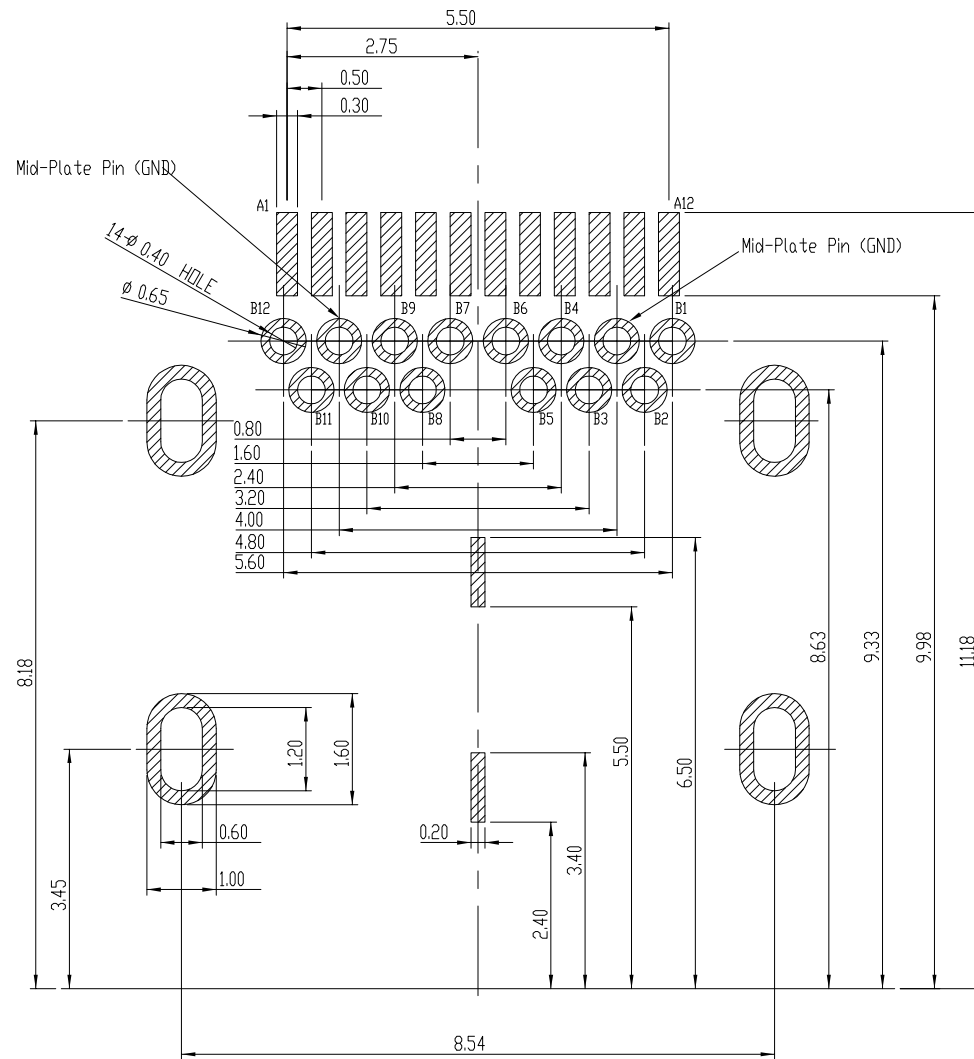
煜倫股份有限公司

www.morethanall.com

SIZE A4

PJECTION

DESCRIPTION: USB TYPE C Receptacle (W/O Rear Cover Type)
(Insertion distance 6.20mm)



Recommended PCB LAYOUT
 TOLANCE ±0.05
 PCB Thickness = 1.0 For 1.50 Solder tail
 1.6 For 1.90 Solder tail

USB TYPE -C Pin Assignments

Pin Number	Signal Name	Pin Number	Signal Name
A1	GND	B12	GND
A2	SSTXp1	B11	SSRXp1
A3	SSTXn1	B10	SSRXn1
A4	VBUS	B9	VBUS
A5	CC1	B8	SBU2
A6	Dp1	B7	Dn2
A7	Dn1	B6	Dp2
A8	SBU1	B5	CC2
A9	VBUS	B4	VBUS
A10	SSRXn2	B3	SSTXn2
A11	SSRXp2	B2	SSTXp2
A12	GND	B1	GND

RoHS Compliant

TOLERANCES ARE

MORETHANALL
 PCB CONNECTORS
 Cable ASSEMBLIES

DRAWING BY CY

X. ± 0.50

CHECKED BY GENIUS

.X ± 0.30

UNIT / mm

SCALE 1 : 1

.XXX ±

DATE

ANG ± 5°

SIZE A4

PJECTION

照片框

ORDER INFORMATION

USB-SRWMM8585S-24C-LF
 SERIES | | | | LEADFREE
 | | | | 24 PIN C TYPE
 FEMALE | | METAL FOOT 8.54mm/8.54mm
 | | 90°SMT
 DIP 90°

煜倫股份有限公司

www.morethanall.com

DESCRIPTION: USB TYPE C Receptacle (W/O Rear Cover Type)
 (Insertion distance 6.20mm)