

SECTION B-B For SIP

DATE CODE : YY WW
 YEAR
 EX.15=2015
 WEEK CODE

SPECIFICATION

MATERIAL

Insulator: Thermoplastic, Black

Contacts: Copper

Shell: Stainless Steel

CONTACT PLATING

Underplate: 50u"~100u" Nickel

Contact area: 15u" Selective gold,

Solder tails area: 100u"~150u" Tin (Lead Free)

ELECTRICAL

Operation voltage: 20 V

Current rating: 5 Amps max.

Insulation resistance: 100 Mohms min @ 100 VDC

Dielectric withstanding voltage: 100 VAC / minute

Temperature range: -40°C TO +105°C

Mating cycles: 10,000 cycles

BOM:

No.	Product Name	MATERIAL	Color & Plated	Q' TY
9	Over Shell (外殼)	SUS304, T=0.20±0.01mm	Silver/Ni	1
8	EMI Spring (遮蔽片)	SUS301, T=0.10±0.01mm	Silver	2
7	Shell (鐵殼)	SUS304, T=0.20±0.01mm	Silver/Ni	1
6	Middle Plate (中隔片)	SUS301, T=0.15±0.01mm	Silver	1
5	DIP Contact Molding (DIP端子MOL膠芯)	LCP E130i UL 94V-0	Black	1
4	SMT Contact Molding (SMT端子MOL膠芯)	LCP E130i UL 94V-0	Black	1
3	Middle Molding (中隔片MOL膠芯)	LCP E130i UL 94V-0	Black	1
2	DIP Contact (DIP端子)	C18400 T=0.12±0.01mm	Gold/Selective Gold	12
1	SMT Contact (SMT端子)	C18400 T=0.12±0.01mm	Gold/Selective Gold	12

RoHS Compliant

TOLERANCES ARE



煜倫股份有限公司

www.morethanall.com

DRAWING BY CY

CHECKED BY GENIUS

UNIT / mm SCALE 1 : 1

DATE

SIZE A4

X ± 0.50

.X ± 0.30

.XX ± 0.20

.XXX ±

ANG ± 5°

PJECTION

照片框

ORDER INFORMATION

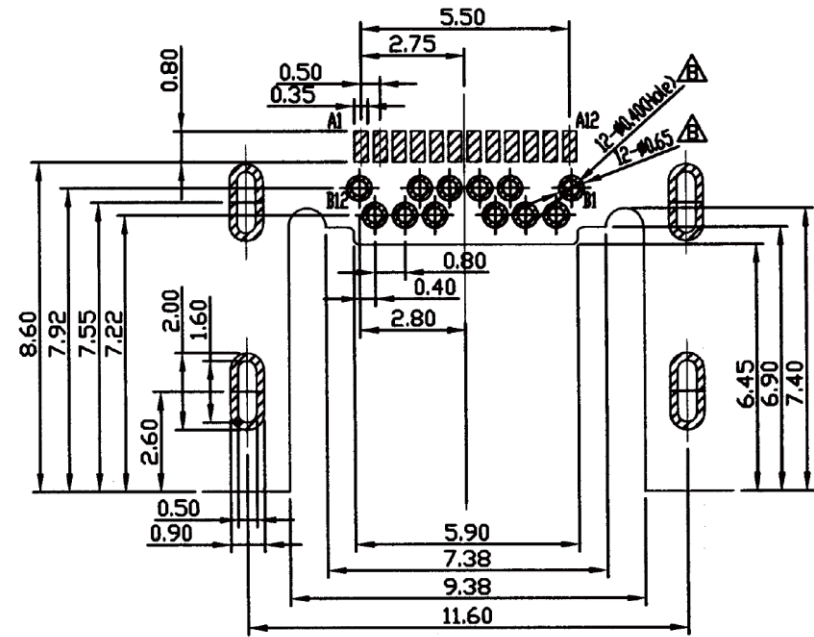
USB-SRWFMM1212-24C-LF

SERIES | | | | | LEADFREE
 FEMALE | | | | | 24 PIN C TYPE
 DIP 90° | | | | | FOOT DISTANCE 11.6mm
 OFFSET
 90°SMT

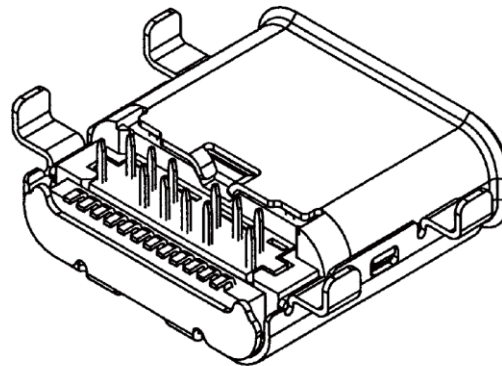
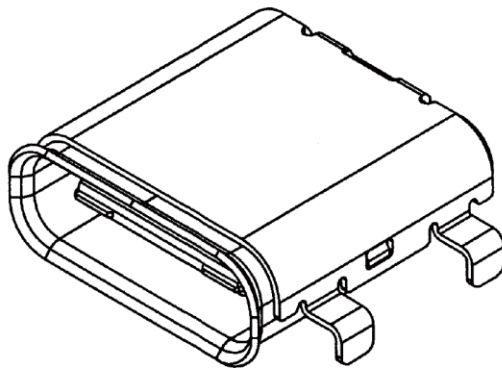
DESCRIPTION:

USB TYPE -C Pin Assignments

Pin Number	Signal Name	Pin Number	Signal Name
A1	GND	B12	GND
A2	SSTXp1	B11	SSRXp1
A3	SSTXn1	B10	SSRXn1
A4	VBUS	B9	VBUS
A5	CC1	B8	SBU2
A6	Dp1	B7	Dn2
A7	Dn1	B6	Dp2
A8	SBU1	B5	CC2
A9	VBUS	B4	VBUS
A10	SSRXn2	B3	SSTXn2
A11	SSRXp2	B2	SSTXp2
A12	GND	B1	GND



Recommended PCB
LAYOUT
Tolerance ±0.05
PCB Thickness=1.00mm



RoHS Compliant

TOLERANCES ARE

MORETHANALL
PCB CONNECTORS
Cable ASSEMBLIES

DRAWING BY CY

X. ± 0.50

CHECKED BY GENIUS

.X ± 0.30

UNIT / mm

SCALE 1 : 1

.XX ± 0.20

DATE

.XXX ±

ANG ± 5°

照片框

ORDER INFORMATION

USB-SRWFMM1212-24C-LF

SERIES

|

|

|

|

|

|

|

|

|

|

|

|

|

|

|

|

|

LEADFREE

FEMALE

|

|

|

|

|

|

|

|

|

|

|

|

|

|

|

|

|

24 PIN C TYPE

FOOT DISTANCE 11.6mm

DIP 90°

|

|

|

|

|

|

|

|

|

|

|

|

|

|

|

|

90°SMT

www.morethanall.com

SIZE A4

PJECTION

DESCRIPTION: