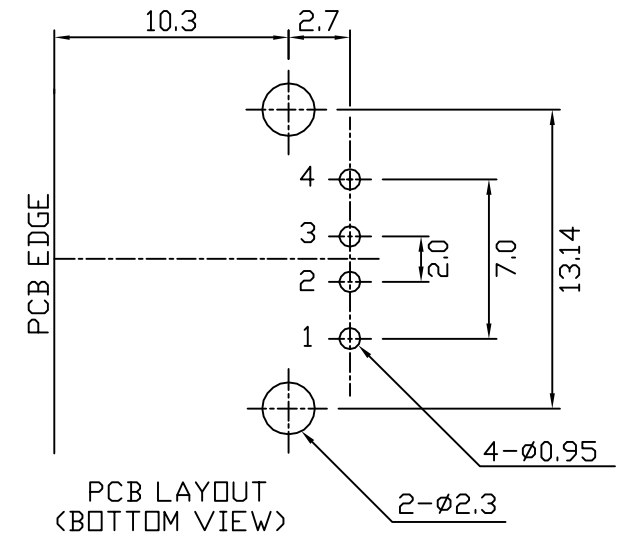
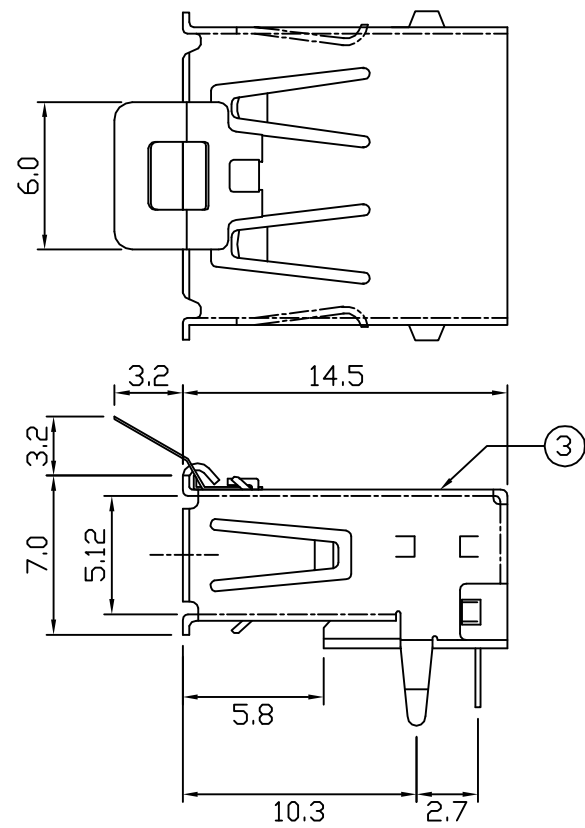
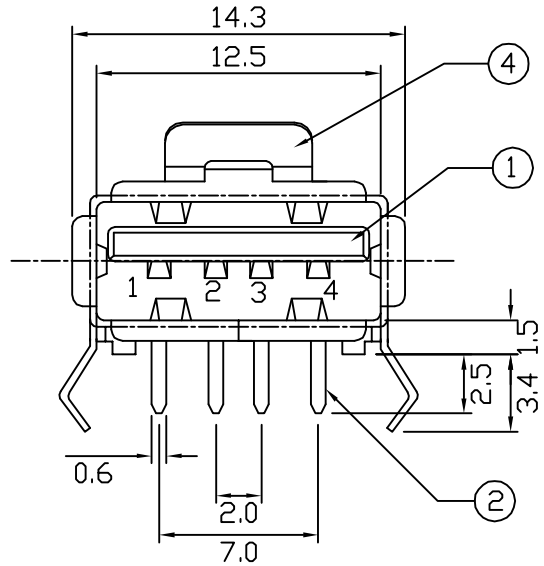


1 2 3 4 5 6 7 8 9 0

J  
I  
H  
G  
F  
E  
D  
C  
B  
A



**USB-SRS-4A-LF**  
**LEADFREE**

NO.	NAME	MATERIAL	FINISH	REMARK	QTY
1	HOUSING	PBT G.F.	BLACK		1
2	PIN TERM.	PHOS. BRONZE T:0.25	GOLD/TIN PLATED	Gold:30 $\mu$ ”, NI:40~60 $\mu$ ”, TIN:120 $\mu$ ” (100% pure Tin of lead free plating)	4
3	SHELL	BRASS T:0.3	NICKEL PLATED	NI:80~120 $\mu$ ”	1
4	SPRING SHIELD	STAINLESS T:0.1			

**RoHS Compliant**



煜倫股份有限公司

PART NO. <b>USB-SRS-4A</b>		CHECKED BY CY	TOLERANCES ARE .X $\pm$ 0.2 .XX $\pm$ .XXX $\pm$ AWG	DESCRIPTION: <b>USB. TYPE A WITH SPRING FLAT 90° DIP</b>			
DWG NO. <b>USB-SRS-4A</b>				DRAWING BY	AREA	REVISIONS	HK
FILE NO.	UNIT / mm	SCALE 1:1	PROJECTION				