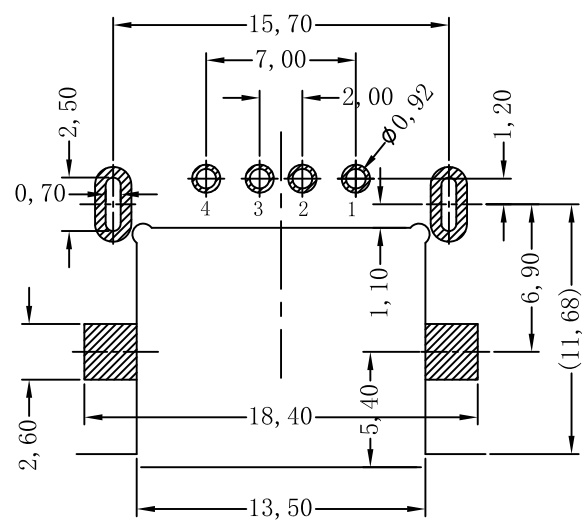
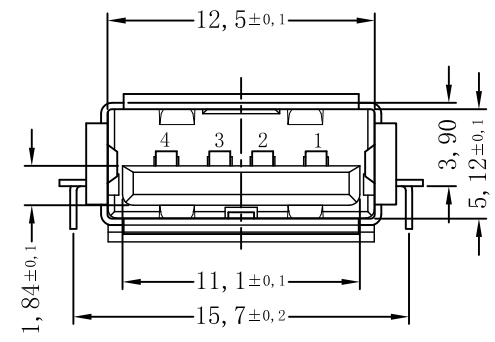


SPECIFICATIONS:  
 Contact current Rating:1Amperes.  
 DIELECTRIC Withstanding Voltage:AC 500V  
 at sea level  
 Insulation resistance:1000Megohms  
 Minimum.  
 Contact Resistance:30mΩ Max  
 operating Temperature:0° to+55°

MECHANICAL CHARACTERISTICS:  
 Mating Force:3.5Kg. Maximum  
 Unmating Force:1kg. MInimum.



3	胶蕊	1	PBT		COLOR: BLACK
2	端子	4	C5191H	NICKEL PLATED OVER ALL 30μ" TIN/GOLD PLATING	GOLD/PIATING
1	外壳	1	不锈钢/黄铜	Ni PLATING	
序号	名称	数量	材料	表面	备注

Recommend P. C. B Layout  
 T=1.2mm

照片框

RoHS Compliant

TOLERANCES ARE

**MORETHANALL**  
 PCB CONNECTORS  
 Cable ASSEMBLIES

DRAWING BY CY X.±0.30  
 CHECKED BY GENIUS .X±0.25  
 UNIT/mm SCALE 1:1 .XX±0.20  
 DATE .XXX±0.10  
 SIZE A4 PPROJECTION ANG±5°

煜倫股份有限公司

www.morethanall.com

ORDER INFORMATION

USB-SRRVF39EM2BK-4A-LF  
 SERIES | LEADFREE  
 FEMALE | 4 PIN A TYPE  
 90°SMT | BLACK  
 REVERSED | EAR + METAL FOOT  
 OFFSET 3.9mm

DESCRIPTION: USB AF 90度 沉板 H3.9mm 90度反向 有捲邊