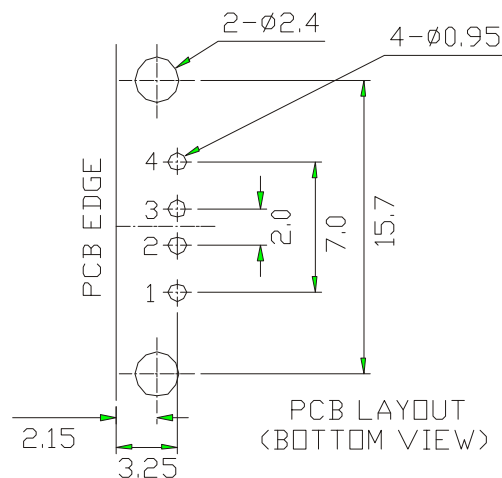


**Specification:**  
**Contact Resistance:** 30m Ohm Max.  
**Insulation Resistance:** 1000M Ohm Min. At 500VDC.  
**Rated Voltage And Current:** 1.5A At 250VAC Minimum.  
**Dielectric Withstanding Voltage:** 750V AC (rms) for 1 Minute(Rev. 1.1)  
**Durability (Life Test):** 1500 Cycles  
**Insertion Force:** 35 Newton Maximum.  
**Extraction Force:** 10 Newton Minimum.



NO.	NAME	MATERIAL	FINISH	Q'TY	REMARK
1	HOUSING	PBT G.F.	BLACK	1	
2	TERMINAL	PHOS. BRONZE T:0.25	GOLD/TIN PLATED	4	Gold:1~3u"; Ni:40~60u"; TIN:120u" (100% pure Tin of lead free plating)
3	SHELL	BRASS T:0.3	NICKEL PLATED	1	Ni:80~120u"

**RoHS Compliant**

TOLERANCES ARE

**MORETHANALL**  
 PCB CONNECTORS  
 Cable ASSEMBLIES

煜倫股份有限公司

www.morethanall.com

DRAWING BY CY

CHECKED BY GENIUS

UNIT / mm

SCALE 1 : 1

DATE

SIZE A4

X. ±  
 .X ±  
 .XX ±  
 .XXX ±  
 ANG ±

PJECTION

照片框

**ORDER INFORMATION**

USB-SRRVF38Z1BK-4A-LF  
 SERIES | | | | | LEADFREE  
 | | | | | 4 PIN A TYPE  
 FEMALE | | | | | BLACK  
 90°SMT | | | | | CLIP FOOT  
 REVERSED | | | | | 3.8mm OFFSET

DESCRIPTION: USB A TYPE REVERSE 4 PIN DIP