

NOTES:

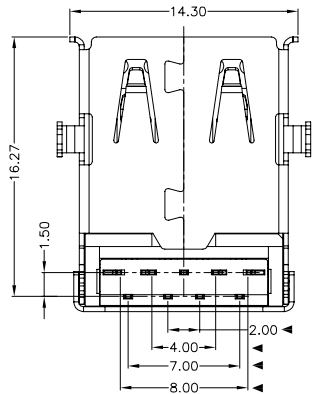
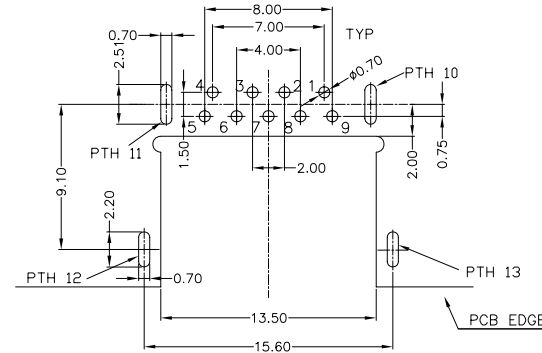
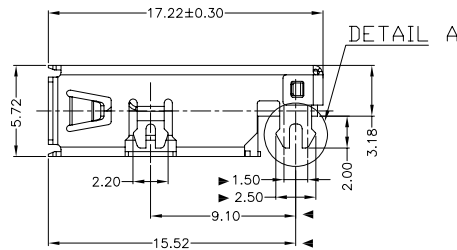
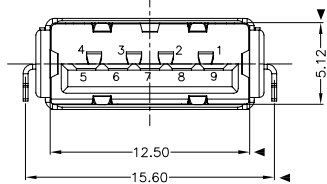
1. ELECTRICAL:

- 1) VOLTAGE CURRENT RATING: 1.5AMP, 30V AC;
- 2) INSULATION RESISTANCE: 100MΩ MIN;
- 3) CONTACT RESISTANCE: 30mΩ MAX;
- 4) WITHSTANDING VOLTAGE: 500V AC;
- 5) OPERATING TEMPERATURE: -40°C TO +85°C.

2. Mechanical:

- 1) Mating Force: 35N MAX
- 2) Unmating Force: 10N MIN.

3. NOTE: 1. DIMENSIONS MARKED "▼" TO BE CHECKED BY Q.C & IPQC.



1	VBUS
2	D-
3	D+
4	GND
5	Std_A_SSRX-
6	Std_A_SSRX+
7	GND_DRAIN
8	Std_A_SSTX-
9	Std_A_SSTX+
Shell	Shield

Bill of materials:

NO	PARTS	MATERIAL	QTY	FINISHING
4	HOUSING	LCP+30%GF	1	UL94V-0
3	SHELL	STAINLESS STEEL	1	PLATED NICKEL
2	TERMINAL(4P)	COPPER ALLOY	4	PLATED GOLD/TIN
1	TERMINAL(5P)	COPPER ALLOY	5	PLATED GOLD/TIN

RoHS Compliant

TOLERANCES ARE



煜倫股份有限公司

www.morethanall.com

DRAWING BY CY

X. ± 0.35

CHECKED BY GENIUS

.X ± 0.30

UNIT / mm

SCALE 1 : 1

.XXX ± 0.15

DATE

ANG ±

SIZE A4

PJECTION

照片框

ORDER INFORMATION

USB-SRRVF31ZZ2xx-9A-LF

SERIES | | | | | LEADFREE
 FEMALE | | | | | 9 PIN A TYPE
 DIP 90° | | | | | BL:BLUE
 REVERSED | | | | | BK:BLACK
 OFFSET 3.18mm | | | | | WH:WHITE
 CLIP

DESCRIPTION: USB 3.0 CONNECTOR, 3.18H CL=0.32H SERIES A RECEPTACLE, RIGHT ANGLE, DTP 反向沉板4