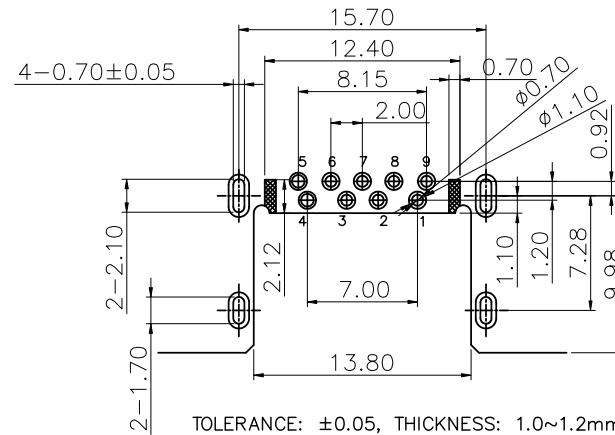
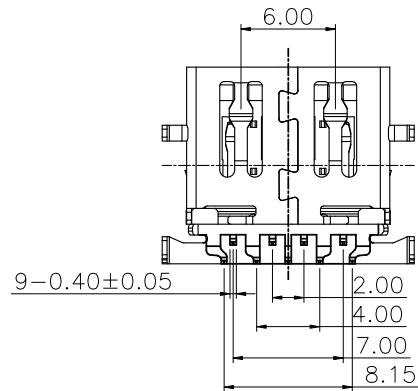


ITEM 項目	PARTS NAME 零件名稱	Q'TY 數量	MATERIAL 材質	FINISH/REMARK 處理/備註
1	HOUSING	1	SYNTHETIC RESIN	Blue
2	CONTACT	9	COPPER ALLOY	Gold plating all over 50u" Min Nickel And 80u" Min Matte Tin Nickel in solder area
3	SHELL	1	STAINLESS	Ni:50u"Min



TOLERANCE: ±0.05, THICKNESS: 1.0~1.2mm
RECOMMENDED PCB LAYOUT

(TOP VIEW)

KEEP OUT AREA

NOTE:

- ELECTRICAL CHARACTERISTICS:
 - CONTACT RESISTANCE:30m Max
 - CONTACT CURRENT RATING:1.5A
 - DIELECTRIC WITHSTANDING VOLTAGE:500 V R.M.S.
 - INSULATION RESISTANCE 100 MEGOHMS M
 - OPERATING TEMPERATURE:-40°C ~ 85°C
 - RATE VOLTAGE: 30V DC
- MECHANICAL CHARACTERISTICS:
 - Mating force:35N(3.57Kgf) Max
 - Un-mating force:10N(1.02Kgf) Min
 - DURABILITY:3000 CYCLES

RoHS Compliant

TOLERANCES ARE

MORETHANALL
PCB CONNECTORS
Cable ASSEMBLIES

DRAWING BY CY

X.± 0.50

CHECKED BY GENIUS

.X± 0.30

UNIT / mm

SCALE 1 : 1

.XXX ±

ANG ± 5°

DATE

SIZE A4

PJECTION

照片框

煜倫股份有限公司

www.morethanall.com

ORDER INFORMATION

USB-SRRVF25MMBLR-9A-LF
SERIES | | | | | | | | | | LEADFREE
FEMALE | | | | | | | | | | 9 PIN A TYPE
DIP 90° | | | | | | | | | | REEL
REVERSED | | | | | | | | | | BLUE
2.56mm | | | | | | | | | | METAL FOOT
OFFSET

DESCRIPTION:

