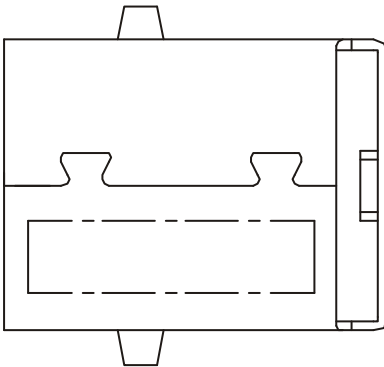


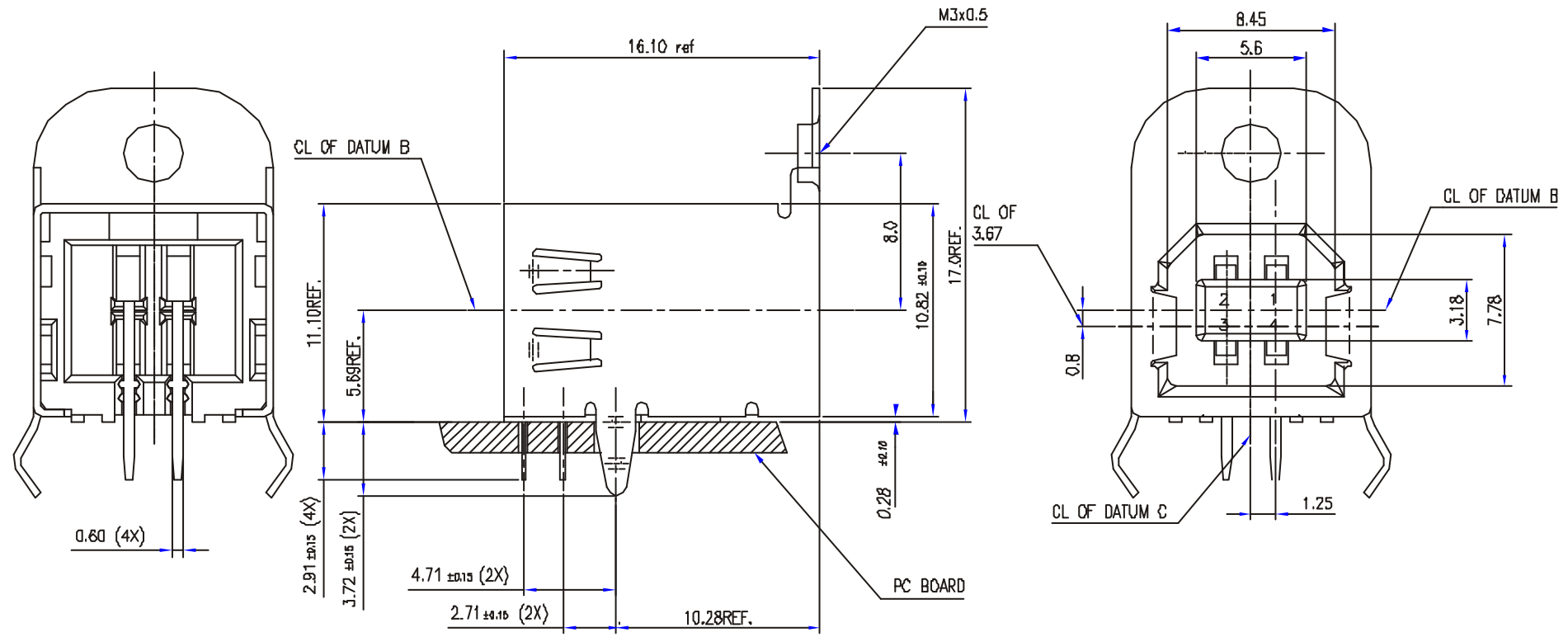
1 2 3 4 5 6 7 8 9 0

J  
I  
H  
G  
F  
E  
D  
C  
B  
A



USB-SRNxxS30-4B-LF  
LEADFREE  
S30:SEMIGOLD  
WH:WHITE  
BK:BLACK

RoHS Compliant



**MORETHANALL**  
CONNECTORS  
ASSEMBLIES

PART NO. USB-SRNxxS30-4B

DWG NO. USB-SRNxxS30-4B

CHECKED BY CY

TOLERANCES ARE

DESCRIP TION:

USB CONNECTOR, SERIES B, WITH SCREW  
4 POSITIONS, R/A, THUR-HOLE

焯倫股份有限公司

FILE NO.

DRAWING BY

.X ± 0.2  
.XX ± 0.1  
.XXX ±  
AWG

AREA

REVISIONS

HK

DATE

UNIT / mm

SCALE 1:1

PROJECTION

1 2 3 4 5 6 7 8 9 0

J

I

H

G

F

E

D

C

B

A

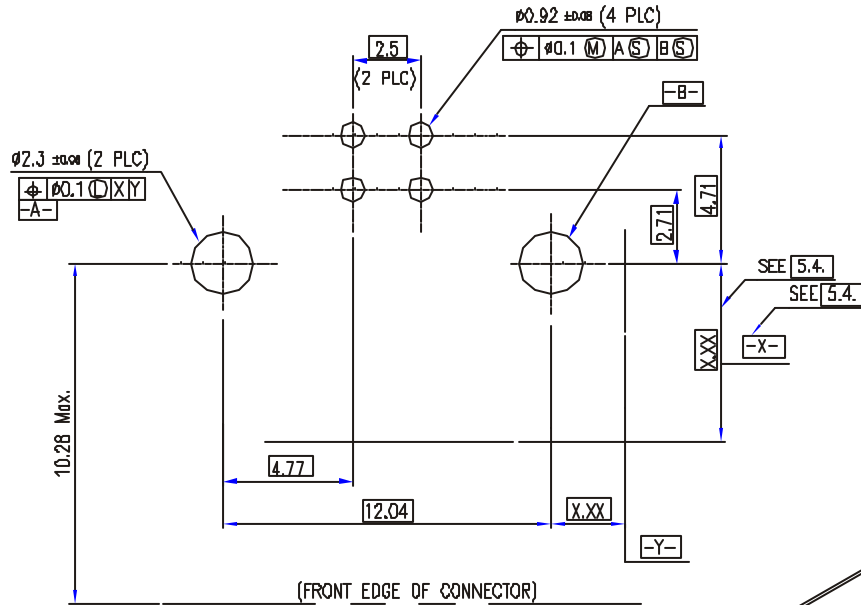
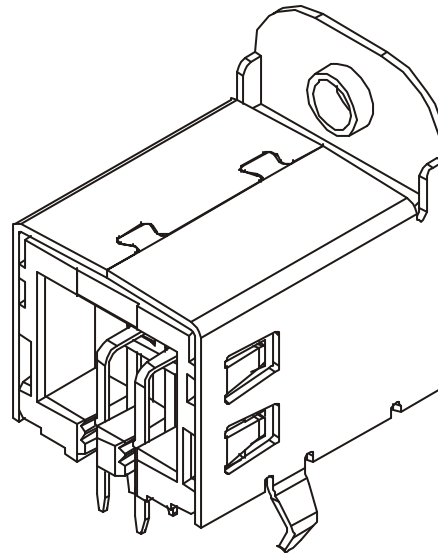


FIGURE A: PCB FOOTPRINT FOR RECEPTACLE (THROUGH-HOLE)



NOTES :

- 1.0. RATING :
  - 1.1. VOTAGE : 30 VAC (R.M.S.)
  - 1.2. CURRENT : 1.5 AMPERE MINIMUM PER CONTACT AT 30°C T-RISE
  - 1.3. TEMPERATURE : -55°C TO +85°C(REF. TO CSP-UAC10-00-00)
- 2.0. ELECTRICAL CHARACTERISTIC :
  - 2.1. CONTACT RESISTANCE : 30 MILLIOHMS MAXIMUM INITIAL
  - 2.2. INSULATION RESISTANCE : 1,000 MEGOHMS MINIMUM
  - 2.3. DIELECTIC WITHSTANDING VOLTAGE : 500 VAC AT SEA LEVEL
  - 2.4. CAPACITANCE : 2 PICO FARADS MAXIMUM AT 1KHZ
- 3.0. MATERIALS :
  - 3.1. SHELL : COPPER ALLOY
  - 3.2. HOUSING : THERMOPLASTIC, GLASS FILLED, 130°C, UL 94V-0 RATED
  - 3.3 CONTACT : COPPER ALLOY
- 4.0. FINISHES :
  - 4.1. SHELL : TIN/LEAD PLATED OVER NICKEL
  - 4.2. CONTACT : SELECTIVE GOLD PLATING (REFER TO "TABLE A")
- 5.0. OTHERS :
  - 5.1. RECOMMENDED PC BOARD THICKNESS OF 1.57mm
  - 5.2. THIS ALLOW FOR A PANEL THICKNESS OF 2.67mm MAXIMUM, IF THE RECEPTACLE CONNECTOR IS MOUNTED BEHIND A PANEL.
  - 5.3. RECOMMENDED PC BOARD MOUNTING DIMMENSION : REFER FIGURE A
  - 5.4. DATUM AND BASIC DIMMENSIONS ESTABLISHED BY CUSTOMER.
  - 5.5 PRODUCT NUMBER CROSS REFERENCE :REFER TO TABLE A
  - 5.6 TORQUE : 3kg-Cm(Min.)

**MORETHANALL**  
CONNECTORS  
ASSEMBLIES

煜倫有限公司

PART NO. USB-SRN-4B	
DWG NO. USB-SRN-4B	
FILE NO.	
UNIT / mm	SCALE 1:1

CHECKED BY CY	DRAWING BY
PROJECTION	

TOLERANCES ARE
.X ± 0.25
.XX ± 0.13
.XXX ± 0.05
AWG

DESCRIPTION:	USB CONNECTOR, SERIES B, WITH SCREW 4 POSITIONS, R/A, THUR-HOLE <CUSTOMER DRAWING>			
AREA	REVISIONS	HK	DATE	