

MORETHANALL
CONNECTORS
ASSEMBLIES

PART NO. USB-SRNxx-4B

DWG NO. USB-SRNxx-4B

CHECKED BY CY

TOLERANCES ARE

DESCRIP TION:

USB CONNECTOR, SERIES B, WITH SCREW
4 POSITIONS, R/A, THUR-HOLE

FILE NO.

DRAWING BY

.X ± 0.2
.XX ± 0.1
.XXX ±
AWG

AREA

REVISIONS

HK

DATE

煜倫股份有限公司

UNIT / mm

SCALE 1:1

PROJECTION

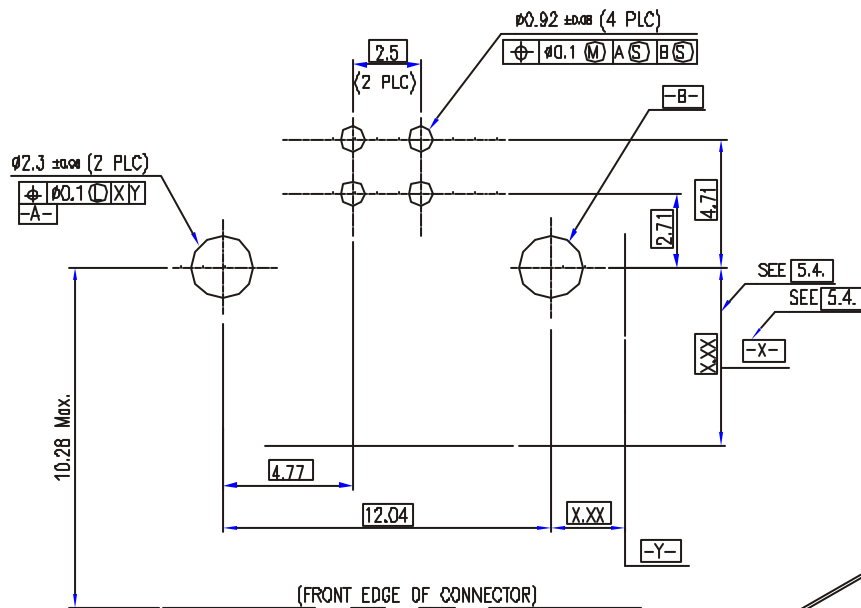
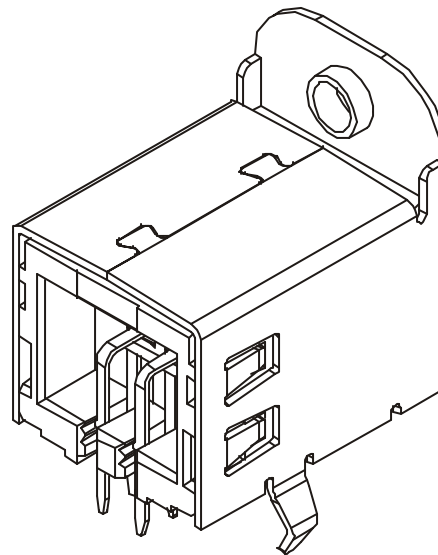


FIGURE A: PCB FOOTPRINT FOR RECEPTACLE (THROUGH-HOLE)



NOTES :

- 1.0. RATING :
 - 1.1. VOLTAGE : 30 VAC (R.M.S.)
 - 1.2. CURRENT : 1.5 AMPERE MINIMUM PER CONTACT AT 30°C T-RISE
 - 1.3. TEMPERATURE : -55°C TO +85°C (REF. TO CSP-UAC10-00-00)
- 2.0. ELECTRICAL CHARACTERISTIC :
 - 2.1. CONTACT RESISTANCE : 30 MILLIOHMS MAXIMUM INITIAL
 - 2.2. INSULATION RESISTANCE : 1,000 MEGOHMS MINIMUM
 - 2.3. DIELECTRIC WITHSTANDING VOLTAGE : 500 VAC AT SEA LEVEL
 - 2.4. CAPACITANCE : 2 PICO FARADS MAXIMUM AT 1KHZ
- 3.0. MATERIALS :
 - 3.1. SHELL : COPPER ALLOY
 - 3.2. HOUSING : THERMOPLASTIC, GLASS FILLED, 130°C, UL 94V-0 RATED
 - 3.3 CONTACT : COPPER ALLOY
- 4.0. FINISHES :
 - 4.1. SHELL : TIN/LEAD PLATED OVER NICKEL
 - 4.2. CONTACT : SELECTIVE GOLD PLATING (REFER TO "TABLE A")
- 5.0. OTHERS :
 - 5.1. RECOMMENDED PC BOARD THICKNESS OF 1.57mm
 - 5.2. THIS ALLOW FOR A PANEL THICKNESS OF 2.67mm MAXIMUM, IF THE RECEPTACLE CONNECTOR IS MOUNTED BEHIND A PANEL.
 - 5.3. RECOMMENDED PC BOARD MOUNTING DIMENSION : REFER FIGURE A
 - 5.4. DATUM AND BASIC DIMENSIONS ESTABLISHED BY CUSTOMER.
 - 5.5 PRODUCT NUMBER CROSS REFERENCE :REFER TO TABLE A
 - 5.6 TORQUE : 3kg-Cm(Min.)

USB-SRN_{xx}-4B-LF
LEADFREE
BK:BLACK
WH:WHITE

RoHS Compliant



PART NO. USB-SRN_{xx}-4B

DWG NO. USB-SRN_{xx}-4B

CHECKED BY CY

TOLERANCES ARE

DESCRIP TION:

USB CONNECTOR, SERIES B, WITH SCREW
4 POSITIONS, R/A, THUR-HOLE
<CUSTOMER DRAWING>

煜倫股份有限公司

FILE NO.

DRAWING BY

.X ± 0.2
.XX ± 0.1
.XXX ±
AWG

AREA

REVISIONS

HK

DATE

UNIT / mm

SCALE 1:1

PROJECTION

