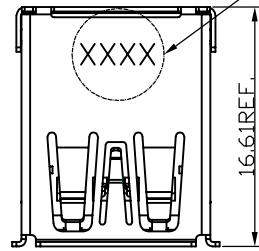
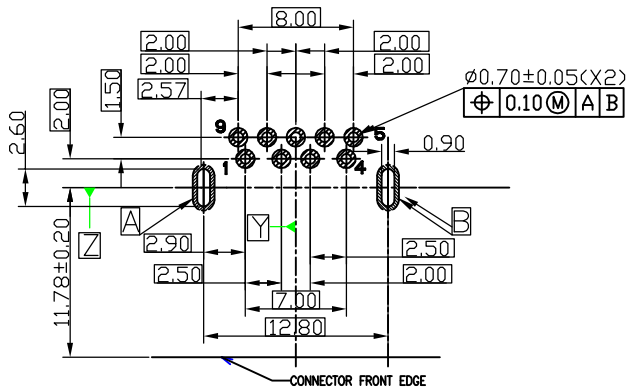
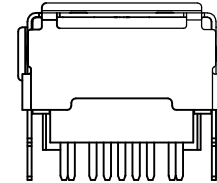
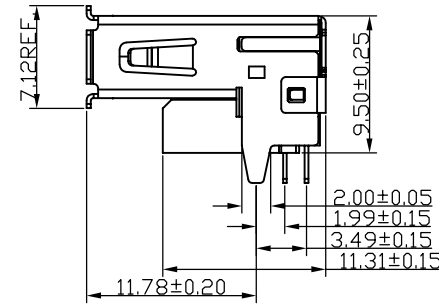
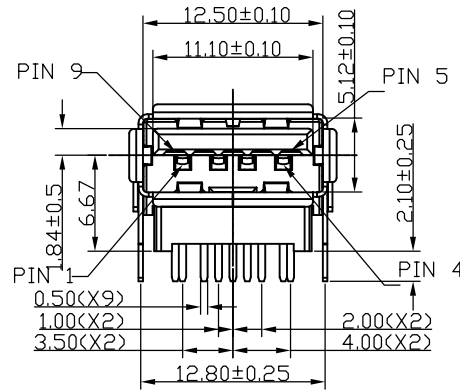


DATE CODE AREA

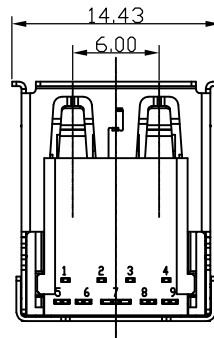


NOTES:

- 1.0. ELECTRICAL CHARACTERISTIC:
- 1.1. LOW LEVEL CONTACT RESISTANCE:
INITIAL: 30 mΩ MAXIMUM FOR POWER AND GROUND CONTACTS.
50 mΩ MAXIMUM FOR ALL OTHER CONTACTS.
AFTER: 10 mΩ MAXIMUM CHANGE.
- 1.2. DIELECTRIC WITHSTANDING VOLTAGE: 100 VAC FOR ONE MINUTE AT SEA LEVEL.
- 1.3. INSULATION RESISTANCE: 100 MΩ MINIMUM.
- 2.0. MECHANICAL CHARACTERISTIC:
- 2.1. INSERTION FORCE: 35N (3.57 Kg) MAXIMUM.
- 2.2. EXTRACTION FORCE: INITIAL: 10N (1.02Kg) MINIMUM.
AFTER: 8N (0.816Kg) MINIMUM.
- 3.0. PRODUCT Evaluation Report Number:TBD



REFERENCE PCB LAROUT (THICKNESS: 1.60mm)
TOLERANCE: ±0.05mm



Pin #	SIGNAL NAME	DESCRIPTION	MATING SEQUENCE
1	VBUS	POWER	SECOND
2	D-	USB 2.0 DIFFERENTIAL PAIR	THIRD
3	D+		
4	GND	GROUND FOR POWER RETURN	SECOND
5	StdA_SSRX-	SUPERSPEED RECEIVER DIFFERENTIAL PAIR	
6	StdA_SSRX+		
7	GND_DRAIN	GROUND FOR SIGNAL RETURN	LAST
8	StdA_SSTX-	SUPERSPEED TRANSMITTER DIFFERENTIAL PAIR	
9	StdA_SSTX+		
Shell	Shield	CONNECTOR METAL SHELL	FRIST

RoHS Compliant

TOLERANCES ARE



DRAWING BY CY
CHECKED BY GENIUS
UNIT / mm SCALE 1 : 1
DATE

X, ±
.X ± 0.30
.XX ± 0.20
.XXX ± 0.10
ANG ±

照片框

ORDER INFORMATION

USB-SRMH95cc-9A-LF
SERIES | LEADFREE
9 PIN A TYPE
FEMALE | BK:BLACK
DIP 90° | WH:WHITE
METAL FOOT | BL:BLUE
HIGH 9.5mm

煜倫股份有限公司

www.morethanall.com

SIZE A4 PPROJECTION

DESCRIPTION: USB3.0 AF DIP90度 直腳有卷邊加高型 H=9.5mm