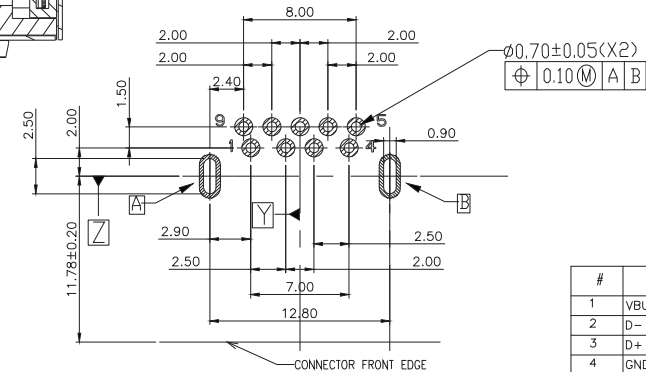
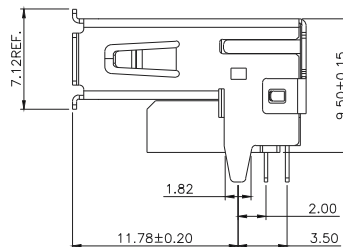
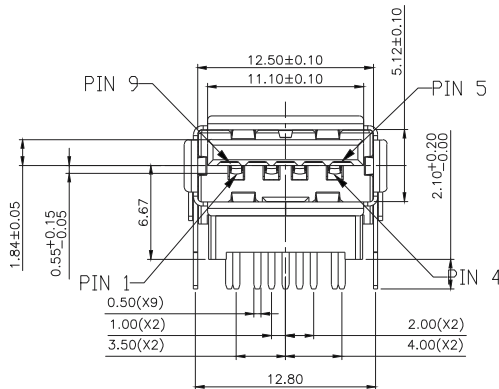


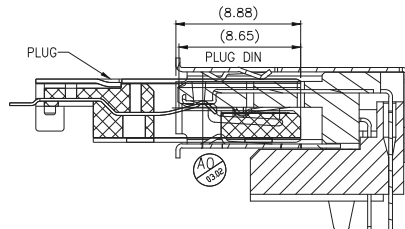
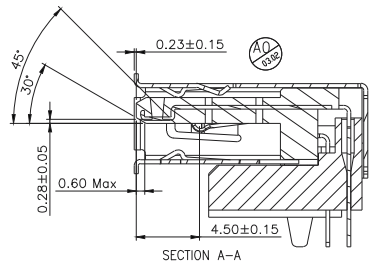
NOTE:

1. MATERIAL:
 - 1.1 INSULATOR: LCP UL 94 V-0: BLUE
 - 1.2 4PIN CONTACT: C5191 (T=0.25mm)
 - 1.3 5PIN CONTACT: C2680 (T=0.25mm)
 - 1.4 SHELL: C2680 (T=0.30mm)
 - 1.5 COVER: LCP UL 94 V-0: BLUE
2. ELECTRICAL CHARACTERISTICS:
 - 2.1 Current Rating: 1.5A
 - 2.2 Insulation Resistance: 100MΩ Min
 - 2.3 Contact Resistance: 30mΩ Max
 - 2.4 Dielectric Withstanding Voltage: 100V AC
 - 2.5 OPERATING TEMPERATURE: -40°C ~ 85°C
3. MECHANICAL CHARACTERISTICS:
 - 3.1 MATING FORCE: 35 N Max
 - 3.2 UNMATED FORCE: 10 N Min INITIAL; 8 N Min AFTER TEST
 - 3.3 DURABILITY: 1500 CYCLES
4. PLATING SPECIFICATION:
 - 4.1 CONTACTS: Ni 50u" MIN. UNDER PLATED, GOLD FLASH PLATED ON THE MATING AREA OF CONTACT. MATTE Sn 100u" MIN. PLATED ON THE SOLDER TALL.
 - 4.2 FRONT SHELL: Ni 50u" MIN. UNDER PLATED OVER ALL.
 - 4.3 Salt Spray 24H



REFERENCE PCB LAYOUT (THICKNESS: 1.60mm)
TOLERANCE: ±0.05mm

#	
1	VBUS
2	D-
3	D+
4	GND
5	R
6	R
7	GND_DRAIN
8	T
9	T
Shell	Shield



RoHS Compliant

TOLERANCES ARE

MORETHANALL
PCB CONNECTORS
Cable ASSEMBLIES

煜倫股份有限公司

www.morethanall.com

DRAWING BY CY
CHECKED BY GENIUS
UNIT / mm SCALE 1 : 1
DATE
SIZE A4 PPROJECTION

X. ± 0.50
.X ± 0.30
.XX ± 0.20
.XXX ± 0.15
ANG ± 5°

照片框

ORDER INFORMATION

USB-SRMH95BL-9A-LF
SERIES | | | | LEADFREE
9 PIN A TYPE
FEMALE | | | | BLUE
HIGH 9.5mm
METAL FOOT
DIP 90°

DESCRIPTION: USB 3.0 A TYPE STANDARD RECEPTACLE RIGHT ANGLE / THRU HOLE TYPE (C款加高9.5)