

Specification:

Contact Resistance: 30m Ohm Max.

Insulation Resistance: 1000M Ohm Min. At 500VDC.

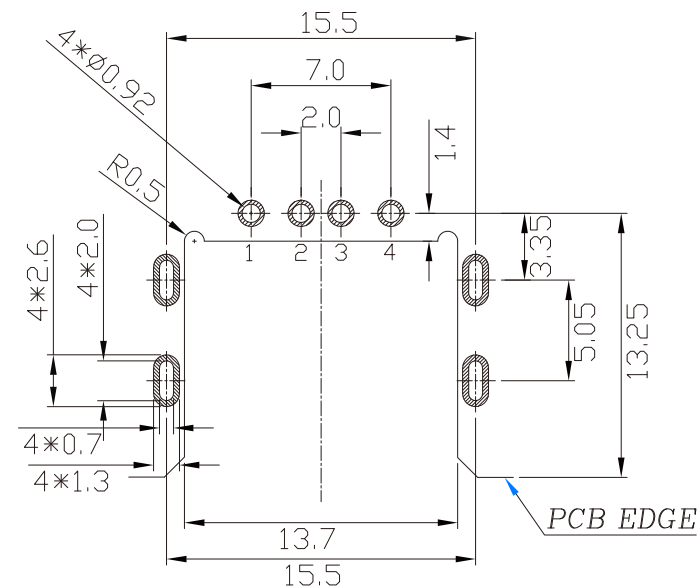
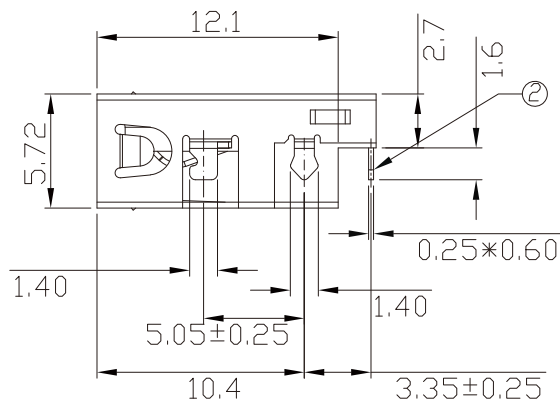
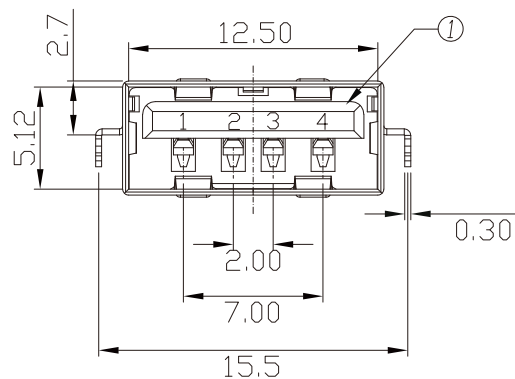
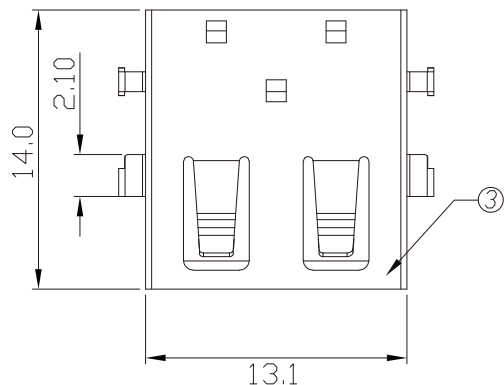
Rated Voltage And Current: 1.5A At 250VAC Minimum.

Dielectric Withstanding Voltage: 750V AC (rms) for 1 Minute(Rev. 1.1)

Durability (Life Test): 1500 Cycles

Insertion Force: 35 Newton Maximum.

Extraction Force: 10 Newton Minimum.



RECOMMENDED PCB LAYOUT(TOP VIEW)
T=1.2mm(TOLERANCES:±0.05mm)

NO.	NAME	MATERIAL	FINISH	Q'TY	REMARK
1	HOUSING	LCP G.F.	BLACK	1	
2	TERMINAL	PHOS. BRONZE T:0.25	GOLD/TIN PLATED	4	Gold:1~3u"; NI:40~60u"; TIN:120u" (100% pure Tin of lead free plating)
3	SHELL	STAINLESS T:0.3	NICKEL PLATED	1	NI:50u" MINIMUM.

RoHS Compliant

TOLERANCES ARE

MORETHANALL
PCB CONNECTORS
Cable ASSEMBLIES

DRAWING BY CY

X. ± 0.38

CHECKED BY GENIUS

.X ± 0.25

UNIT / mm

SCALE 1 : 1

.XX ± 0.13

.XXX ± 0.05

DATE

ANG ±

SIZE A4

PPOJECTION

照片框

ORDER INFORMATION

USB-SRF27MMBK-4A-LF
SERIES | LEADFREE
FEMALE | 4 PIN A TYPE
BK:BLACK
METAL FOOT
OFFSET 2.7mm
DIP 90°

煜倫股份有限公司

www.morethanall.com

DESCRIPTION: USB A TYPE FLAT 4 PIN DIP