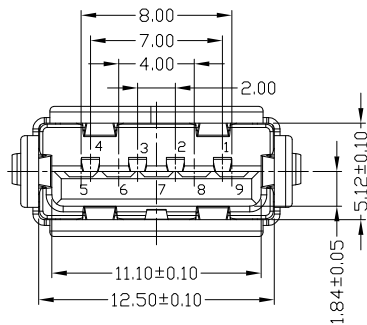
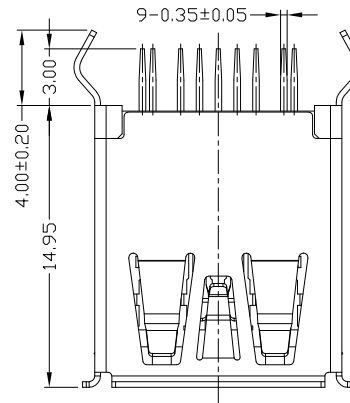
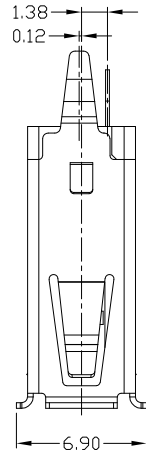
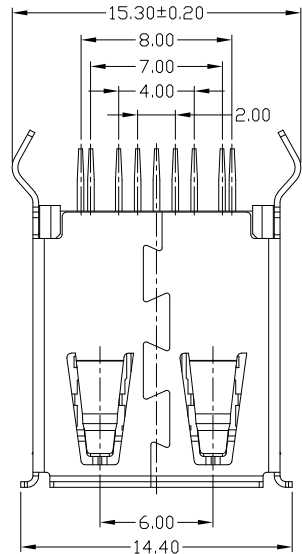


3D VIEW
SC 1:2



NOTES:

1. ELECTRICAL:

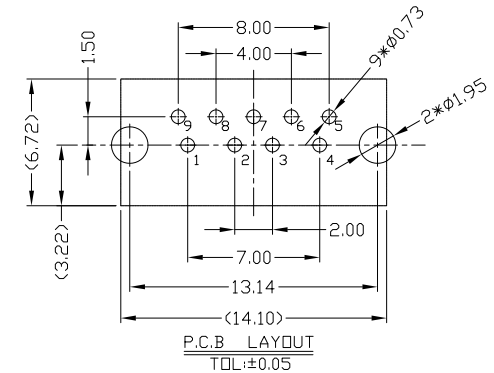
- 1) CURRENT RATING:1.5 AMP;
- 2) INSULATION RESISTANCE: 100MΩ MIN;
- 3) CONTACT RESISTANCE: 30mΩ MAX;
- 4) WITHSTANDING VOLTAGE: 100V AC;
- 5) OPERATING TEMPERATURE:-25°C ~ +85°C.

2. Mechanical:

- 1) Mating Force: 35N MAX
- 2) Unmating Force: 10N MIN.

3. DIMENSIONS MARKED "▼" TO BE CHECKED BY Q.C & IPQC.

PIN NUMBER	SIGNAL NAME
1	VBUS
2	D-
3	D+
4	GND
5	STDA_SSRX-
6	STDA_SSRX+
7	GND_DRAIN
8	STDA_SSTX-
9	STDA_SSTX+
Shell	Shield



Bill of materials:

NO	PARTS	MATERIAL	QTY	FINISHING
3	SHELL	STAINLESS STEEL	1	PLATED NICKEL
2	CONTACT	COPPER ALLOY	9	PLATED GOLD/TIN
1	HOUSING	LCP/PBT/PA9T+30%GF	1	UL94V-0
NO	PARTS	MATERIAL	QTY	FINISHING

RoHS Compliant

TOLERANCES ARE

MORETHANALL
PCB CONNECTORS
Cable ASSEMBLIES

DRAWING BY CY

X. ± 0.50

CHECKED BY GENIUS

.X ± 0.30

UNIT / mm

SCALE 1 : 1

.XX ± 0.20

DATE

.XXX ± 0.10

ANG ±

SIZE A4

PPOJECTION

照片框

ORDER INFORMATION

USB-SDxx-9A-LF

SERIES | | LEADFREE
9 PIN A TYPE
BL:BLUE
BK:BLACK
DIP 180°
FEMALE

煜倫股份有限公司

www.morethanall.com

DESCRIPTION: USB 3.0 AF 180度 DIP 卷边無缺口弯脚15.6 H=14.9