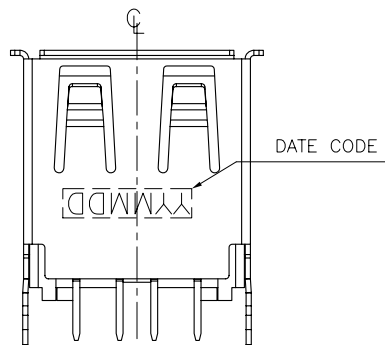
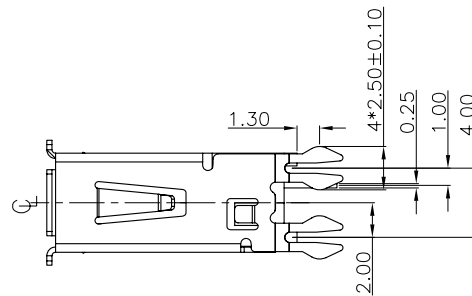
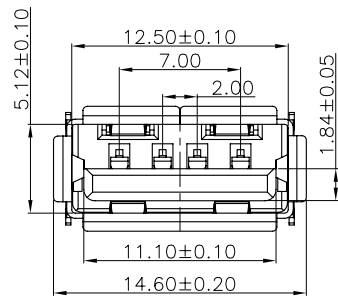


RECOMMENDED P.C.B LAYOUT
P.C.B THICKNESS=1.20mm



SPECIFICATION

***ELECTRICAL**

- 1.CONTACT RESISTANCE:30mΩ MAX.
- 2.DIELECTRIC WITHSTANDING VOLTAGE:500V AC MAX.
- 3.INSULATION RESISTANCE:1000MΩ MIN.
- 4.RATE CURRENT:1.5A.

***MECHANICAL**

- 1.INSERTION FORCE:35N MAX.
- 2.EXTRACTION FORCE:10N~25N.
- 3.DURABILITY:5000 CYCLES

***MATERIAL**

- 1.HOUSING:THERMOPLASTIC, GLASS FIBER FILLED, UL 94V-0 RATED.
- 2.CONTACT:COPPER ALLOY T=0.25mm.
- 3.SHELL:COPPER ALLOY OR STAINLESS T=0.30mm.

***PLATING**

- 1.TERMINAL:GOLD PLATED ON CONTACT AREA
TIN PLATED ON SOLDER AREA.
- 2.SHELL:NICKEL 80u" MIN.

***ENVIRONMENT**

- 1.LEAD FREE AND RoHS COMPLIANCE.
- 2.HALOGEN FREE AVAILABLE.

RoHS Compliant

TOLERANCES ARE

MORETHANALL
PCB CONNECTORS
Cable ASSEMBLIES

DRAWING BY CY

X. ± 0.30

CHECKED BY GENIUS

.X ± 0.25

UNIT / mm

SCALE 1 : 1

.XX ± 0.15

DATE

.XXX ±

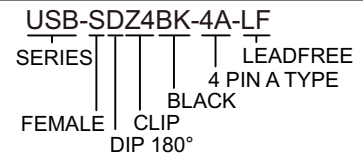
ANG ±

SIZE A4

PJECTION

照片框

ORDER INFORMATION



煜倫股份有限公司

www.morethanall.com

DESCRIPTION:USB A TYPE DIP