

3	HOUSING	THERMOPLASTICS	COLOR:BLACK
2	SHELL	STEEL	Over-Plating:See Note Under-Plating:Cu 30u"
1	CONTACT	COPPER ALLOY	Contact Area Plating:See Note Solder Area Plating:Sn 80u" Under-Plating:Ni 30u"
ITEM	DESC.	MATERIAL	REMARKS

RoHS Compliant

TOLERANCES ARE

**MORETHANALL**  
PCB CONNECTORS  
Cable ASSEMBLIES

DRAWING BY CY

X, ±

CHECKED BY GENIUS

.X ± 0.30

UNIT / mm

SCALE 1 : 1

.XX ± 0.20

DATE

.XXX ±

ANG ± 3°

SIZE A4

PJECTION

照片框

ORDER INFORMATION

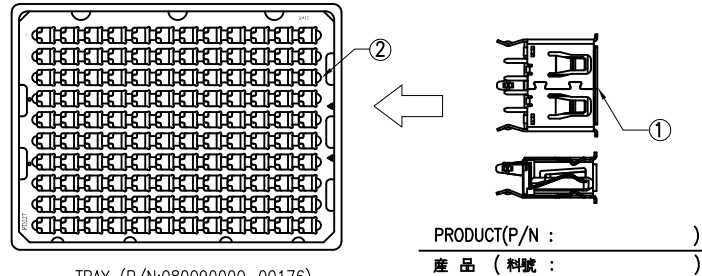
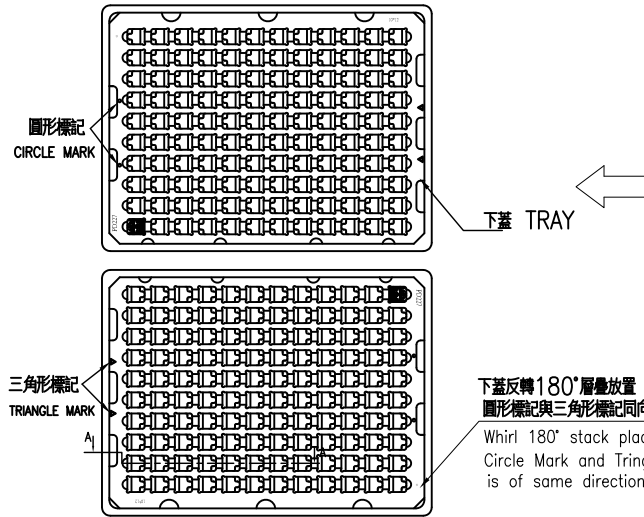
USB-SDZ3BK-4A-LF

SERIES | | | LEADFREE  
| | | 4 PIN A TYPE  
| | | BLACK  
| | | CLIP  
| | | DIP 180°  
| | | FEMALE

煜倫股份有限公司

www.morethanall.com

DESCRIPTION:



TRAY (P/N:080090000-00176)

頂空盒 (料號:080090000-00176)

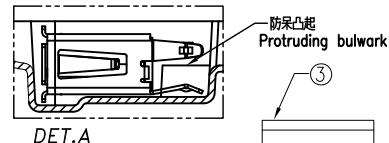
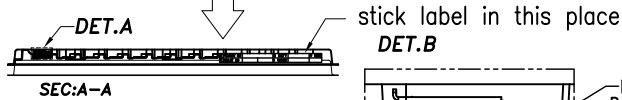
PRODUCT(P/N : )  
產品 (料號 : )

下蓋反轉180°層疊放置  
圓形標記與三角形標記同向堆疊

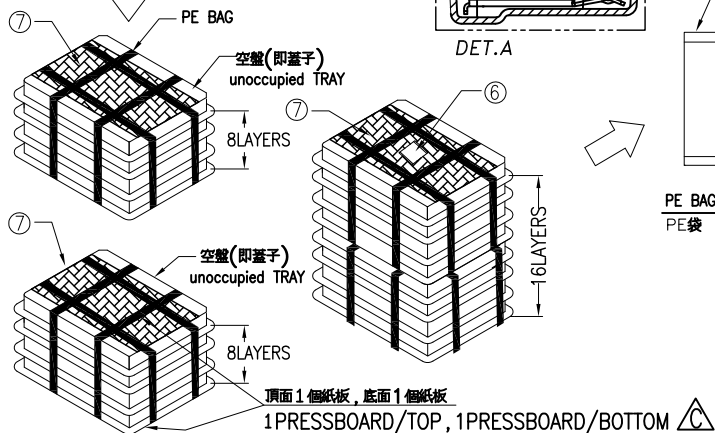
Whirl 180° stack place of tray  
Circle Mark and Tringle Mark  
is of same direction

料號 PART NO	數量 QT'Y	序號 NO
批號 LOT NO	日期 DATE	

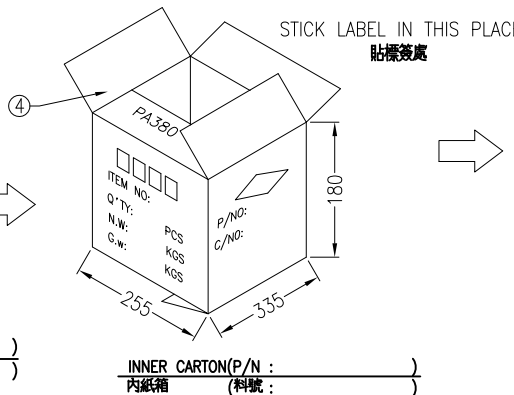
DET.B  
6:1



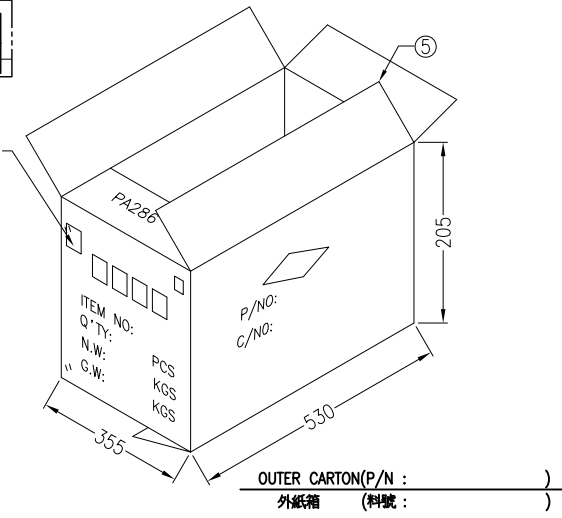
防呆凸起  
Protruding bulwark



PE BAG(P/N : )  
PE袋 (料號 : )



INNER CARTON(P/N : )  
內紙箱 (料號 : )



OUTER CARTON(P/N : )  
外紙箱 (料號 : )

序號 NO.	項目 ITEM	
1	包裝方式 Method of packing	000010211-000**
2	包裝方式說明 Packing instruction	
3	內包裝單位 Unit of inner packing	箱 CARTON
4	內包裝含產品數量 Inner packing quantity	1680 PCS
5	內包裝重量(g) Inner packing weight	1251
6	外包裝含內包裝數量 Unit of outer packing	箱 CARTON
7	外包裝單位 Quantity of inner packing	2
8	外包裝重量(g) Weight of outer packing	738
9	總數量 (PCS) Total quantity	3360 PCS
10	長Length(mm)x寬Width(mm)x高High(mm)	530x355x205
11	數量/盤: 1.QUANTITY/TARY	120 PCS
12	淨重/箱 WEIGHT/CARTON:N.W	4.46 Kg
13	毛重/箱 WEIGHT/CARTON:G.W	7.70±0.30Kg
14	THE HIGHEST WAS EMPTY TRAY EVERY 7 LAYERS WERE PACKING BY PE FILM 每 7 盤最上一層放一個空盤用 PE 膜封好	

ITEM	DESC.	MATERIAL	REMARKS
7	PRESSBOARD (紙板)	L*W=280*220	PB115
6	DESICCANT (干燥劑)		PL101
5	OUTER CARTON (外紙箱)	K=A	PA286
4	INNER CARTON (內紙箱)	B=C	PA380
3	PE BAG (PE 袋)		PC101
2	TRAY (下蓋)	PET (TRANSPARENCE)	PD227
1	PRODUCT (產品)		

RoHS Compliant

TOLERANCES ARE

**MORETHANALL**  
PCB CONNECTORS  
Cable ASSEMBLIES

煜倫股份有限公司

www.morethanall.com

DRAWING BY CY

CHECKED BY GENIUS

UNIT / mm

SCALE 1:1

DATE

SIZE A4

PPOJECTION

X, ±  
.X ± 0.30  
.XX ±  
.XXX ±  
ANG ± 3°

照片框

ORDER INFORMATION

USB-SDZ3BK-4A-LF  
SERIES  
LEADFREE  
4 PIN A TYPE  
BLACK  
CLIP  
DIP 180°  
FEMALE

DESCRIPTION: USB A F DIP 180° Short Type (PACKING DRAWING)