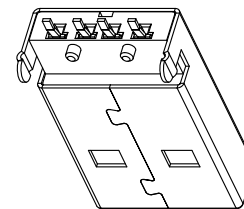
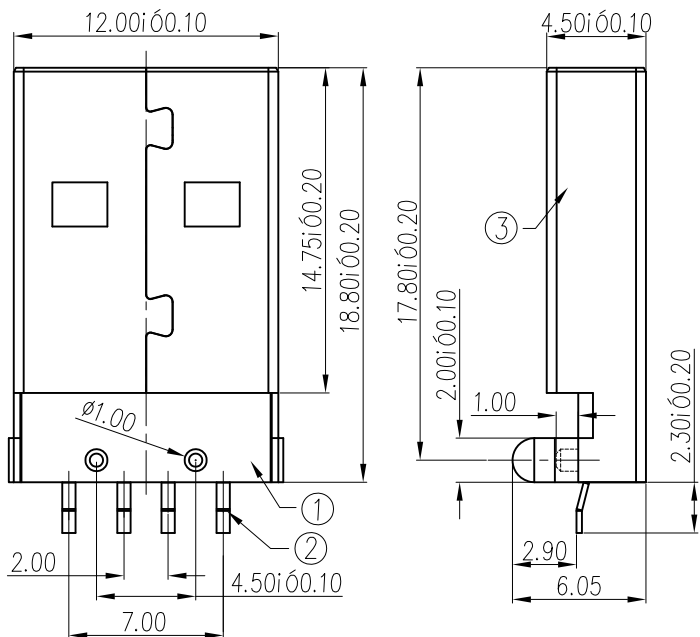
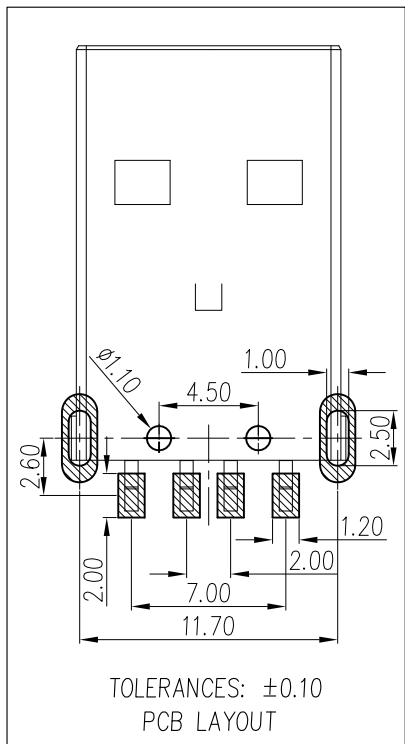


Note:

Specification:

1. Current rating: 1 A Max.
2. Dielectric withstanding voltage: 30 V(ac) for 1 minute.
3. Contact resistance: 30 mΩ Max.
4. Insulation resistance: 1000 MΩ Min at DC 500V.
5. Temperature range: -55°C~+105°C.



No.	Name	Q'ty	Material	Remark & Thickness	Finish
3	Shell	1	Cold rolled steel	T=0.30mm	Cu: 40u" min. 80u" min Nickel Plated
2	Contact	4	Brass	T=0.25mm	Contact area: 0.8u" min Gold Plated over 40u" Nickel min. Solder area: 80u" min Tin Plated over 40u" Nickel min.
1	Housing	1	LCP	UL 94-V0	Black/White

RoHS Compliant

TOLERANCES ARE

**MORETHANALL**  
PCB CONNECTORS  
Cable ASSEMBLIES

DRAWING BY CY

X, ±  
.X ± 0.30  
.XX ± 0.20  
.XXX ± 0.10  
ANG ± 1°

CHECKED BY GENIUS

UNIT / mm SCALE 1 : 1

DATE

SIZE A4

PJECTION

照片框

ORDER INFORMATION

USB-PWF31KP1cc-4A-LF

SERIES | LEADFREE  
MALE | 4 PIN A TYPE  
90°SMT | BK:BLACK  
KINK/POST | WH:WHITE  
OFFSET 3.1mm

DESCRIPTION: USB-A(M) S.M.T(彎腳 $\phi 1.0 \times 1.0$ )

煜倫股份有限公司

www.morethanall.com