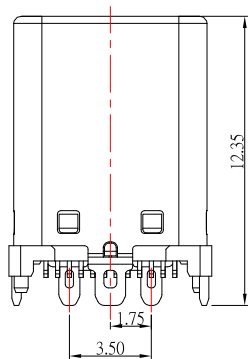
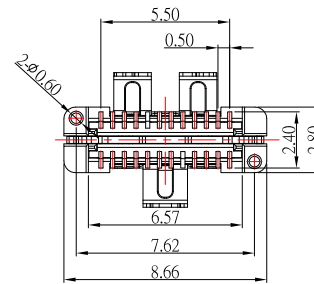
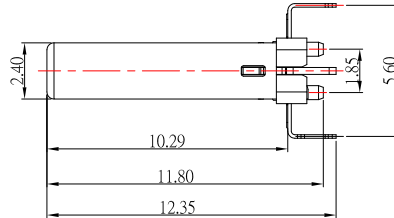
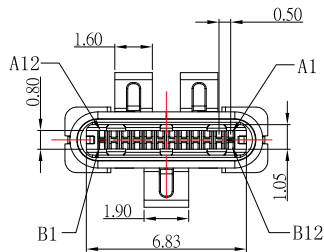


RECOMMENDED P.C.B. LAYOUT



A1	GND	B12	GND
A2	SSTXP1	B11	SSRXP1
A3	SSTXN1	B10	SSRXN1
A4	VBUS	B9	VBUS
A5	CC1	B8	SBU2
A6	DP1	B7	DN2
A7	DN1	B6	DP2
A8	SBU1	B5	CC2
A9	VBUS	B4	VBUS
A10	SSRXN2	B3	SSTXN2
A11	SSRXP2	B2	SSTXP2
A12	GND	B1	GND
PIN	SIGNAL NAME	PIN	SIGNAL NAME

## SPECIFICATIONS

### Electrical:

1. Rating: 3.0 A
2. Dielectric Withstand Voltage: 100V AC
3. Contact Resistance: 40 mΩ Max
4. Insulation Resistance: 100 MΩ Min

### Mechanical:

1. Connector Mate and Unmate Force
  - 1.1 Mate force: 5~20 N
  - 1.2 Unmate force: 8~20 N

### Material:

1. Housing: LCP, UL 94V-0
2. Contact: BRASS
3. Shell: SUS

### Finish:

1. Contact: Plated Gold in Mating Area ;  
Tin Plated on Solder Balls ;  
Nickel under plated overall
2. Shell: Nickel under Plated surface layer

RoHS Compliant

TOLERANCES ARE

**MORETHANALL**  
PCB CONNECTORS  
Cable ASSEMBLIES

煜倫股份有限公司

www.morethanall.com

DRAWING BY CY

CHECKED BY GENIUS

UNIT / mm

SCALE 1 : 1

DATE

SIZE A4

PJECTION

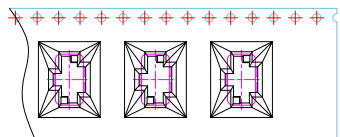
Up to 5 ±0.2  
Above 5 ~ 15 ±0.3  
Above 15 ~ 30 ±0.4  
Above 30 ~ 50 ±0.5  
Angle ±0.3°

照片框

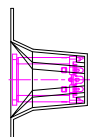
ORDER INFORMATION

USB-PVMPMCR-24C-LF  
SERIES | LEADFREE  
24P C TYPE  
REEL  
CAP  
MALE | METALFOOT+POST+METAL FOOT  
180°SMT

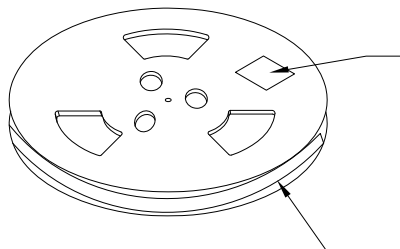
DESCRIPTION: TYPE C/M Male VERTICAL SMT TYP



① 產品入載帶示意圖

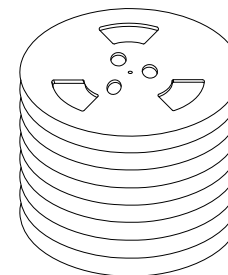


② 卷盤貼標籤示意圖

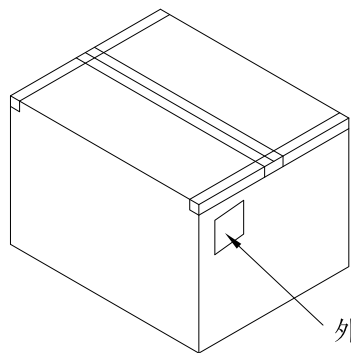


小標籤

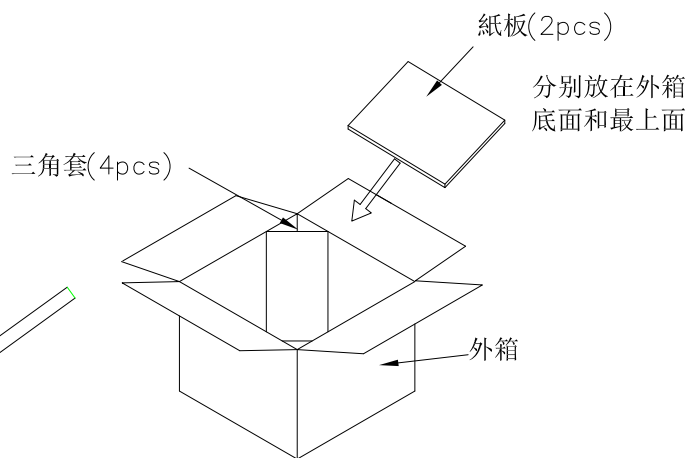
載帶保護帶



③ 10 盤產品疊層示意圖



⑤ 外箱封箱示意圖



④ 產品入外箱示意圖

**NOTE:**

- 1. QUANTITY/REEL: 300 PCS
- QUANTITY/INNER CARTON: 300 X 10 = 3000 PCS
- 2. FREE 12 CAVE IN THE FRONT CARRIER AND FREE 12 CAVE IN THE END CARRIER.

**RoHS Compliant**

TOLERANCES ARE

**MORETHANALL**  
PCB CONNECTORS  
Cable ASSEMBLIES

DRAWING BY CY

CHECKED BY GENIUS

UNIT / mm SCALE 1 : 1

DATE

SIZE A4 PPROJECTION

Up to 5 ±0.2  
Above 5 ~ 15 ±0.3  
Above 15 ~ 30 ±0.4  
Above 30 ~ 50 ±0.5  
Angle ±0.3°

照片框

**ORDER INFORMATION**

USB-PVMPMCR-24C-LF  
SERIES REEL CAP MALE METALFOOT+POST+METAL FOOT LEADFREE 24P C TYPE 180°SMT

DESCRIPTION: TYPE C/M Male VERTICAL SMT TYP

煜倫股份有限公司

www.morethanall.com