

- NOTES :
- 1.0. RATING :
 - 1.1. VOLTAGE : 30 VAC (R.M.S.)
 - 1.2. CURREN : 1.0 AMPERE MAXIMUM PER CONTACT AT 30°C T-RISE
 - 1.3. TEMPERATURE : -55°C TO +85°C UNLESS LIMITED BY CABLE OR OVERMOLD (-40°C TO +60°C STORAGE ;+0°C TO +40°C OPERATING)
 - 2.0. ELECTRIC CHARACTERISTIC :
 - 2.1. CONTACT RESISTANCE : 30 MILLIOHMS MAXIMUM INITIAL
 - 2.2. INSULATION RESISTANCE : 1,000 MEGOHMS MINIMUM
 - 2.3. DIELECTRIC WITHSTANDING VOLTAGE : 750 VAC AT SEE LEVER
 - 3.0. METERIALS :
 - 3.1. UPPER & LOWER SHELL : STEEL
 - 3.2. HOUSING : THERMPLASTC, GLASS FILLED, UL 94V-0 RATED
 - 3.3. CONTACT : COPPER ALLOY
 - 4.0. FINISHS :
 - 4.1. UPPER & LOWER SHELL :
 - TIN-LEAD : 5.0um TIN/LEAD OVER 2.5um COPPER
 - NICKEL : 3.0-5.0um NICKEL OVER 2.5um COPPER
 - GOLD : 1.5u" GOLD , 5.0um NICKEL OVER 2.5um COPPER
 - 4.2. CONTACT : REFER DRAWING NO.: CT-UAC10-00-00
 - 5.0. OTHERS :
 - 5.1. RECOMMENDED CABLE APPLICATION :
 - OUTTER DIAMETER APPLICABLE RANGE : ø3.4mm TO ø5.3mm
 - 5.2. ALL PARTS PACKAGED UNASSEMBLED
 - 5.3. CONTACTS MUST BE PURCHASED SEPARATELY (REFER TO ACON DRAWING NO.: CT-UAC10-00-00)
 - 5.4. PRODUCT NUMBERING CODE: REFER TO TABLE A

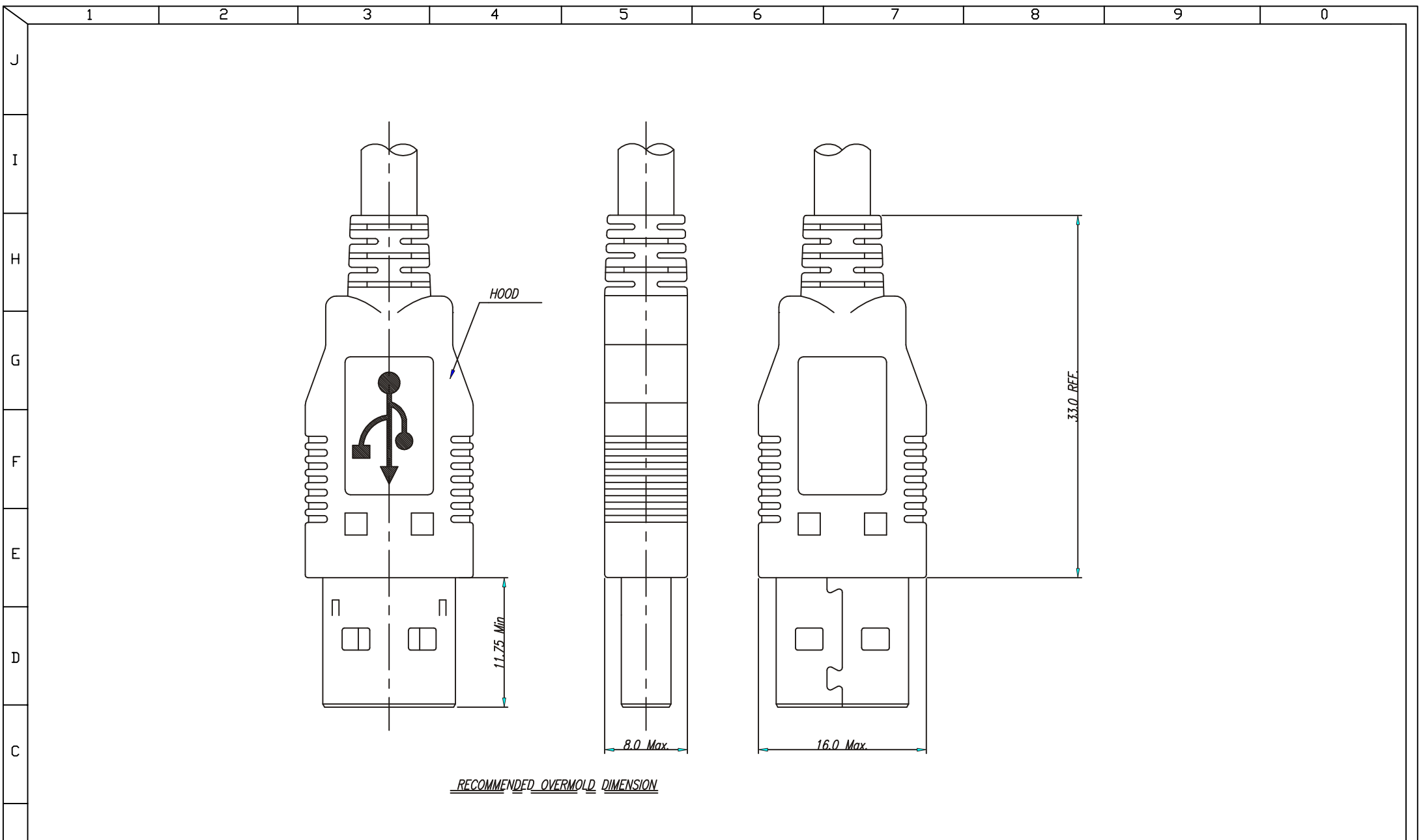
3	HOUSING	1	SEE NOTE 3.2.	
2	LOWER SHELL	1	SEE NOTE 3.1.; 4.1.	
1	UPPER SHELL	1	SEE NOTE 3.1.; 4.1.	
ITEM	PART NAME	Q'TY/EA	MATERIAL/FINISH	NOTE

USB-PHC-4A-LF
LEADFREE
RoHS Compliant



煜倫股份有限公司

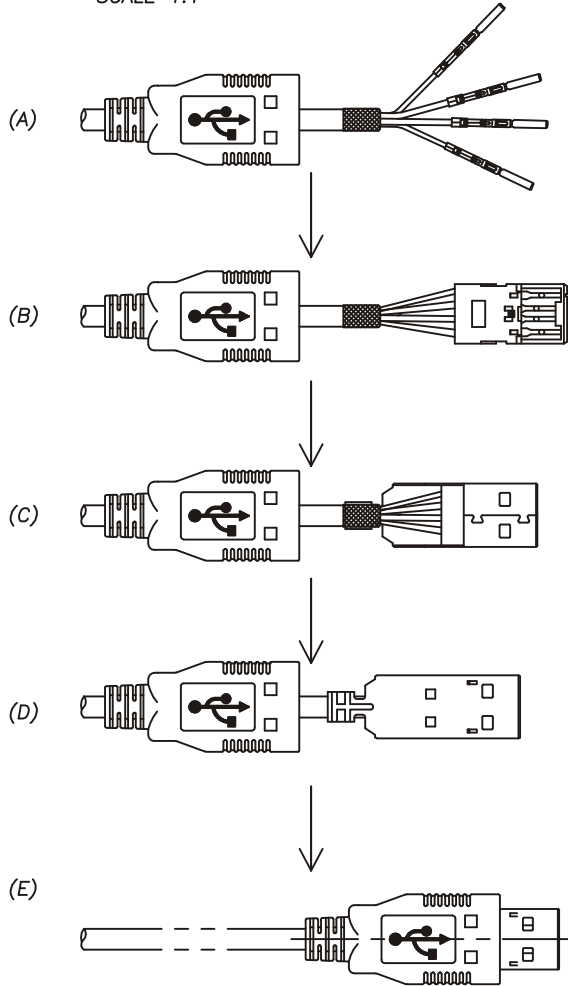
PART NO. USB-PHC-4A		CHECKED BY CY		TOLERANCES ARE .X ± 0.2 .XX ± .XXX ± AWG	DESCRIP TION: ASS'Y HARDWARE KITS,PLUG SHORT TYPE, 4 POSITION, SERIES A ,LONG CLAMP (CUSTOMER DRAWING)
DWG NO. USB-PHC-4A		DRAWING BY			
FILE NO.		PROJECTION		AREA	REVISIONS
UNIT / mm	SCALE 1:1			HK	DATE



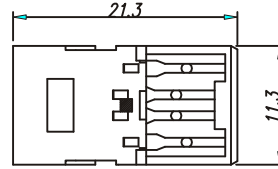
RECOMMENDED OVERMOLD DIMENSION

B			PART NO. USB-PHC-4A		TOLERANCES ARE .X ± 0.2 .XX ± .XXX ± AWG	DESCRIP TION:			
			DWG NO. USB-PHC-4A						
A	焜倫股份有限公司		FILE NO.		DRAWING BY	AREA	REVISIONS	HK	DATE
			UNIT / mm	SCALE 1:1	PROJECTION				

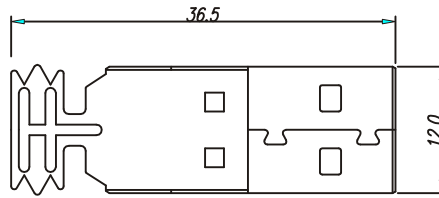
ASSEMBLY PROCESS:
SCALE 1:1



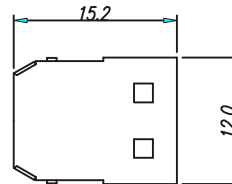
PART:



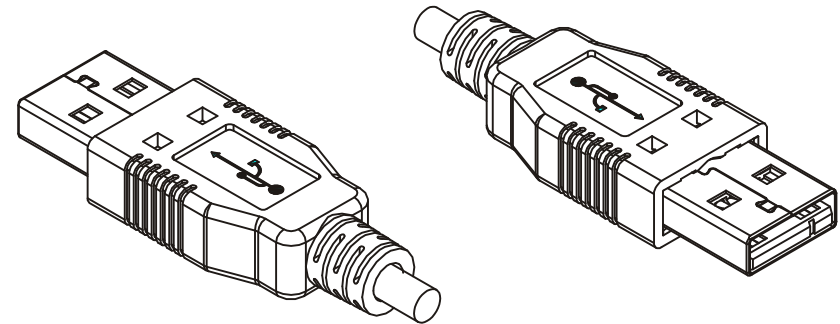
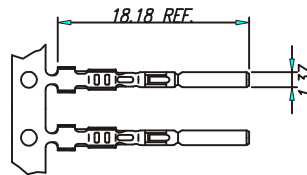
HOUSING	1	BLACK	I-UAC14-14K00	W/O MARK
			I-UAC14-14A00	"ACON" MARK
		FORST WHITE	I-UAC14-14W00	W/O MARK
			I-UAC14-14C00	"ACON" MARK
PART NAME	Q'TY/EA	COLOR	PART NUMBER	MARK



LOWER SHELL	1	LONG	GOLD	S-UAC16-D4410
			NICKEL	S-UAC16-D4210
			TIN-LEAD	S-UAC16-D4110
PART NAME	Q'TY/EA	CLAMP	FINISH	PART NUMBER



UPPER SHELL	1	GOLD	S-UAC16-U4400
		NICKEL	S-UAC16-U4200
		TIN-LEAD	S-UAC16-U4100
PART NAME	Q'TY/EA	FINISH	PART NUMBER



MORETHANALL
CONNECTORS
ASSEMBLIES

PART NO. **USB-PHC-4A**

DWG NO. **USB-PHC-4A**

FILE NO.

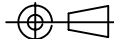
UNIT / mm

SCALE 1:1

CHECKED BY CY

DRAWING BY

PROJECTION



TOLERANCES ARE

.X ± 0.2

.XX ±

.XXX ±

AWG

DESCRIPTION:

AREA

REVISIONS

HK

DATE

煜倫股份有限公司