

Pin Number	host	device	Pin Number	host	device
Pin A1	GND	GND	Pin B12	GND	GND
Pin A2	SSTxp1	SSTxp1	Pin B11	SSRxp1	SSRxp1
Pin A3	SSTxn1	SSTxn1	Pin B10	SSRxn1	SSRxn1
Pin A4	VBUS	VBUS	Pin B9	VBUS	VBUS
Pin A5	CC1	CC1	Pin B8	SBU2	SBU2
Pin A6	DP1	DP1	Pin B7		
Pin A7	DN1	DN1	Pin B6		
Pin A8	SBU1	SBU1	Pin B5	CC2	CC2
Pin A9	VBUS	VBUS	Pin B4	VBUS	VBUS
Pin A10	SSRxn2	SSRxn2	Pin B3	SSTxn2	SSTxn2
Pin A11	SSRxp2	SSRxp2	Pin B2	SSTxp2	SSTxp2
Pin A12	GND	GND	Pin B1	GND	GND

項目	零件名稱	數量	材質	處理/備註
1	SHELL	1	STAINLESS	Ni: 50u"
2	Molding HOUSING	2	L.C.P	(Black)
3	GND SPRING	2	STAINLESS	Ni: 50u"
4	Insert molding 12PIN	2	L.C.P	(Black)
5	CONTACT	24	COPPER ALLOY	Contact area: gold flash, Solder tails: Tin100u", Ni: 50u"
6	PCB	1	--	--

NOTE:

1.Material

- 1.1 Terminal: C7025-H T=0.15
- 1.2 Housing: LCP+30% G/F.,UL94V-0 YELLOW
- 1.3 Molding: LCP+30%G/F.,UL94V-0 YELLOW
- 1.4 Shell: SUS304 T=0.20
- 1.5 Shild: SUS304 T=0.10
- 1.6 Hook: SUS304 T=0.40

2.Plating

- 2.1 Terminal: 3u"MIN.Gold In Contact Area  
100u"MIN. Sn Plate In Solder Area.  
Over 50u" MIN. Ni.
- 2.2 Shell: 50u" Nickel Plating Over All.

3.Electrical

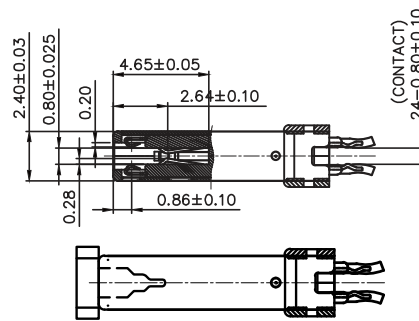
- 3.1 Current rating: 5A
- 3.2 Voltage: 30V MAX
- 3.3 Withstanding Voltage: 100V AC R,M,S,
- 3.4 Contact Resistance: 40mΩ MAX
- 3.5 Insulation Resistance: 100MΩ Min

4.Mechanical

- 4.1 Insertion Force: 5~20N  
Withdrawal Force: 8~20N After Test
- 4.2 Durability: 10000 Cycles

5.Environmental

- 5.1 Temperatuer Range -25°C ~ +85°C



項目	零件名稱	數量	材質	處理/備註
1	SHELL	1	SUS304	Ni: 50u"
2	HOUSING	2	L.C.P	(BLACK)
3	GND SPRING	2	SUS304	Ni: 50u"
4	HOOK	1	SUS304	Ni: 50u"
5	Insert molding 12PIN	2	L.C.P	(BLACK)
6	CONTACT	24	C7025	Contact area: Solder tails: Tin100u", Ni: 50u"

RoHS Compliant

TOLERANCES ARE

**MORETHANALL**  
PCB CONNECTORS  
Cable ASSEMBLIES

煜倫股份有限公司

www.morethanall.com

DRAWING BY CY

CHECKED BY GENIUS

UNIT / mm SCALE 1 : 1

DATE

SIZE A4

X. ± 0.25

.X ± 0.20

.XX ± 0.15

.XXX ± 0.10

ANG ±

PJECTION

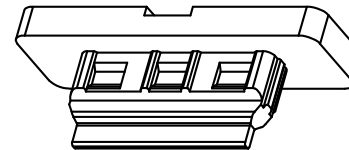
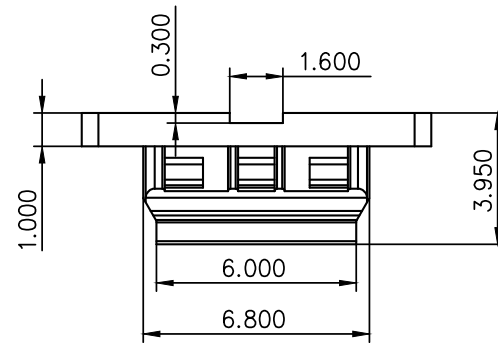
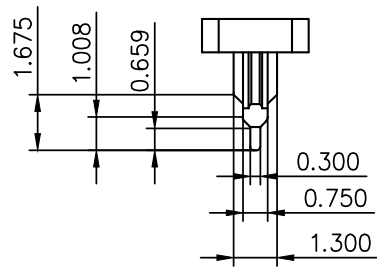
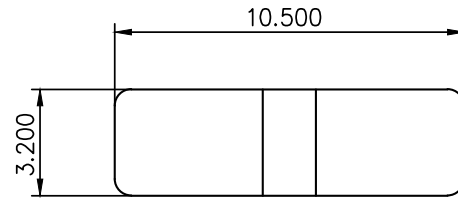
照片框

ORDER INFORMATION

USB-PE08C-24C-LF

SERIES | | | LEADFREE  
| | | 24 PIN C TYPE  
CAP  
EDGE CLIP 0.8mm  
MALE

DESCRIPTION:



1. 產品規格:  
膠芯材質: LCP UL94V-0

RoHS Compliant

TOLERANCES ARE

**MORETHANALL**  
PCB CONNECTORS  
Cable ASSEMBLIES

煜倫股份有限公司

www.morethanall.com

DRAWING BY CY

CHECKED BY GENIUS

UNIT / mm

SCALE 1 : 1

DATE

SIZE A4

X. ± 0.25

.X ± 0.20

.XX ± 0.15

.XXX ± 0.10

ANG ±

PPOJECTION

照片框

ORDER INFORMATION

USB-PE08C-24C-LF  
SERIES | CAP | LEADFREE  
24 PIN C TYPE  
EDGE CLIP 0.8mm  
MALE

DESCRIPTION: