

**Material:**

Housing: 30% Glass filled PBT UL94V-0.

Contacts: Brass.

**Electrical Characteristics:**

Current Rating: 7.8 AMP.

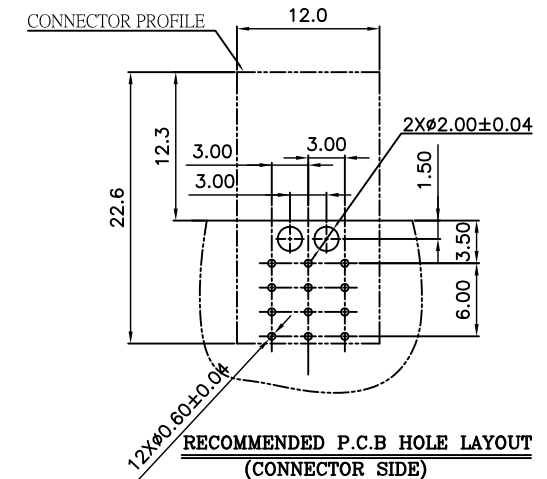
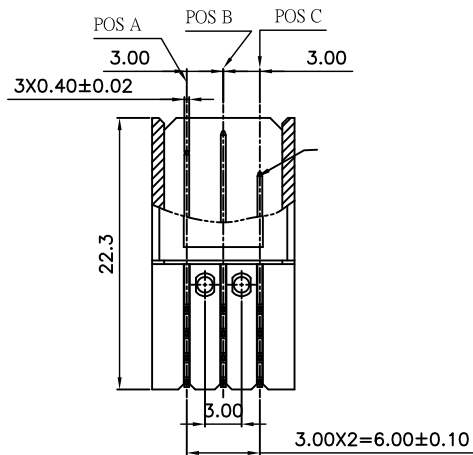
Dielectric Withstanding Voltage: AC 1000V For 1 minute.

Insulator Resistance: 1000MΩ min. at DC 500V.

Contact Resistance: 20mΩ max. at DC 100mA.

Operating Temperature: -55°C ~ +105°C .

**\*RoHS Compliant**



UPM-PQPxxx-03-LF  
LEADFREE

RoHS Compliant

Pin Assembly Type Schematic	PCB	PCB	PCB	PCB	PCB	PCB	PCB	PCB	PCB
Part No.	UPM-PQPEEE-03	UPM-PQPEBE-03	UPM-PQPBEB-03	UPM-PQPBEA-03	UPM-PQPBAE-03	UPM-PQPAAE-03	UPM-PQPBAB-03	UPM-PQPEBB-03	UPM-PQPAAA-03



PART NO. UPM-PQPxxx-03		CHECKED BY CY	TOLERANCES ARE .X ± 0.2 .XX ± .XXX ± AWG	DESCRIP TION:		
DWG NO. UPM-PQPxxx-03						
FILE NO.		DRAWING BY	AREA	REVISIONS	HK	DATE
UNIT / mm	SCALE 1:1	PROJECTION				

焯倫股份有限公司