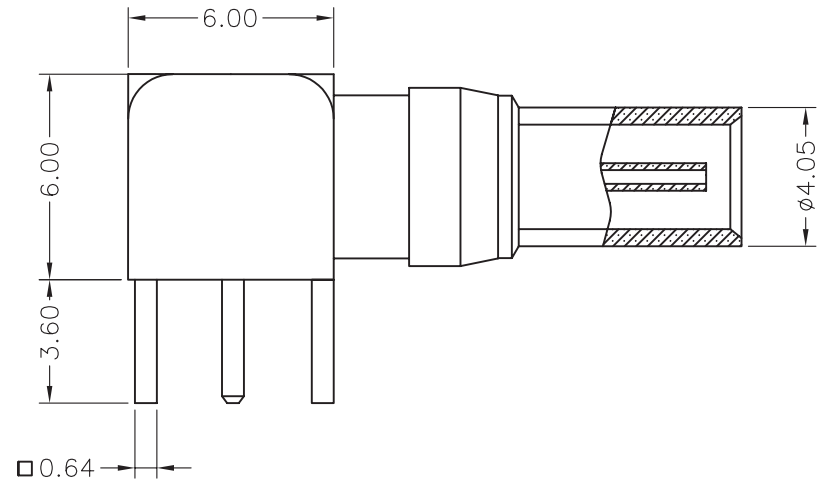
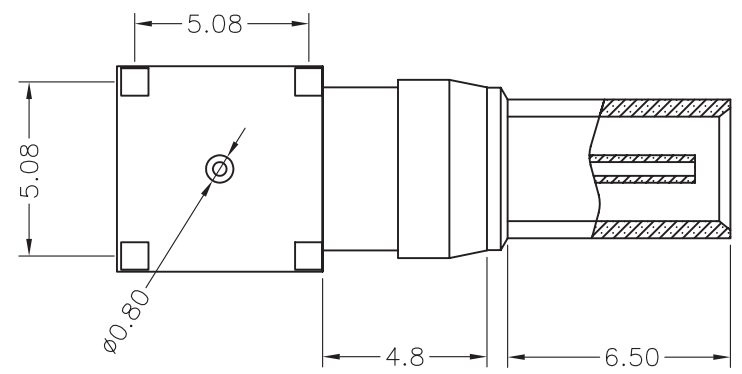


**Material:**

Contact: Brass With Gold Plated.  
 Lock Link: Brass With Nickel Plated.  
**\*RoHS Compliant**



**RoHS Compliant**

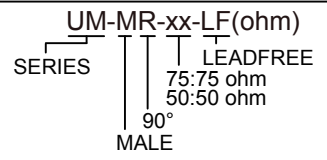
TOLERANCES ARE

**MORETHANALL**  
 PCB CONNECTORS  
 Cable ASSEMBLIES  
**煜倫股份有限公司**  
[www.morethanall.com](http://www.morethanall.com)

DRAWING BY CY		X. ± .X ± .XX ± .XXX ± ANG ±
CHECKED BY GENIUS		
UNIT / mm	SCALE 1 : 1	
DATE		
SIZE A4	PJECTION	



**ORDER INFORMATION**



DESCRIPTION: Din Coax Pin Female Right Angle Type