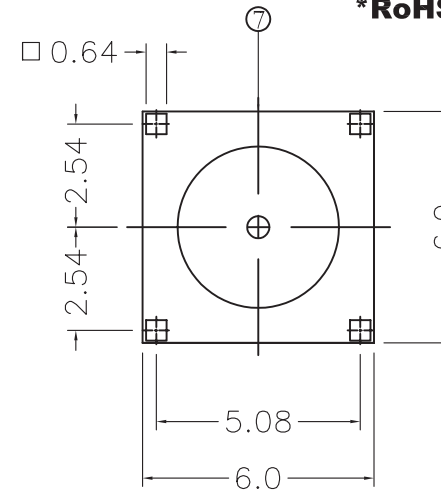
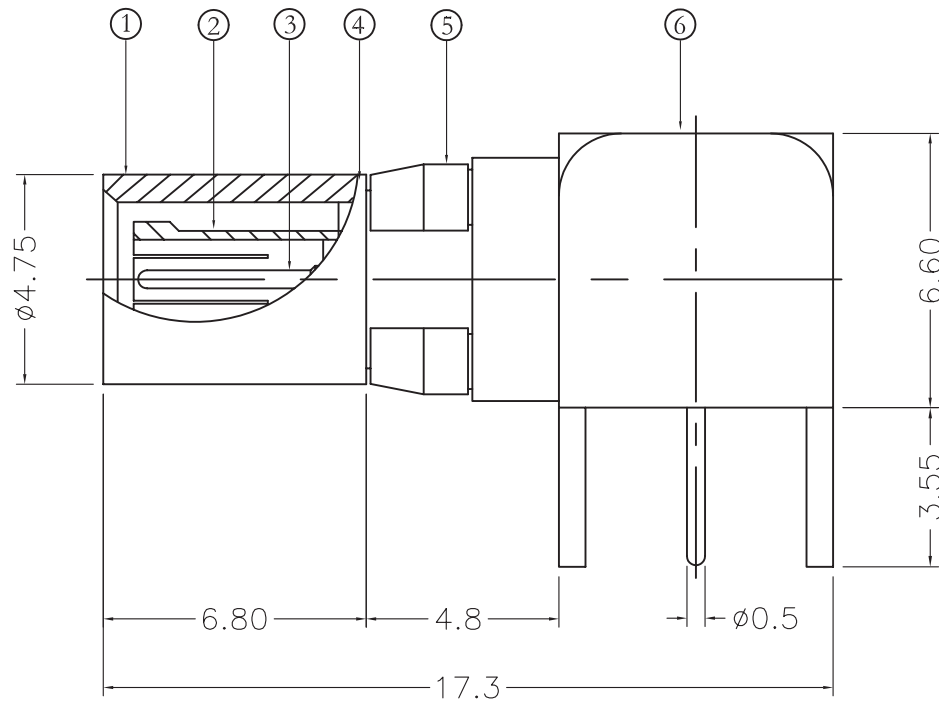


Material:

Contact: Brass With Gold Plated.

Lock Link: Brass With Nickel Plated.

***RoHS Compliant**



Impedance (Ohms)		Replace XX by 50, 75
50	75	
7	INSULATOR	TEFLON
6	BODY	BRASS
5	LOCK LINK	BRASS
4	INSULATOR	TEFLON
3	CENTER CONTACT	BRASS
2	INNER CONTACT	BRASS
1	OUTSIDE CONTACT	BRASS
No.	DESCRIPTION	MATERIAL

RoHS Compliant

TOLERANCES ARE

MORETHANALL
PCB CONNECTORS
Cable ASSEMBLIES

煜倫股份有限公司

www.morethanall.com

DRAWING BY CY

CHECKED BY GENIUS

UNIT / mm

SCALE 1:1

DATE

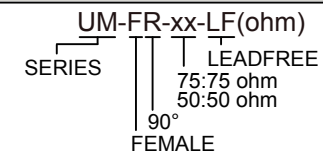
SIZE A4

X, ±
.X ±
.XX ±
.XXX ±
ANG ±

P PROJECTION

照片框

ORDER INFORMATION



DESCRIPTION: Din Coax Pin Male Right Angle Type