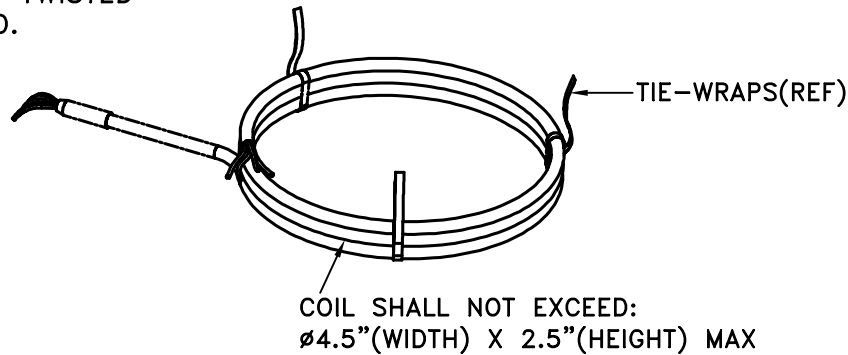
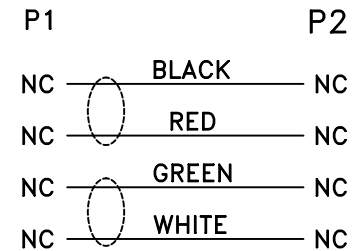


DRAIN WIRES TO BE TWISTED TOGETHER & TINNED.



PIN OUT



***CONSTRUCTION:

1.WIRE: * UL2464 (20AWG+1P+A)*2+AE GRAY COLOR JACKET.

***CONNECTORS:

2.TUBE: * HEAT SHRINK TUBE OD:6.0mm;OD:1.0mm BLACK COLOR.

3.TEST: * CT: 2 Ohm. IS: 5M Ohm.

4.PACKING: * PACK EACH CABLE IN A POLY BAG.

5.MATERIAL: * MATERIAL WITH RoHS GRADE.

RoHS Compliant

TOLERANCES ARE

MORETHANALL
PCB CONNECTORS
Cable ASSEMBLIES

煜倫股份有限公司

www.morethanall.com

DRAWING BY CY

CHECKED BY GENIUS

UNIT / mm SCALE 1 : 1

DATE

SIZE A4

X, ±
.X ±
.XX ±
.XXX ±
ANG ±

PPOJECTION

照片框

ORDER INFORMATION

UL2464-040420GE-4F-LF

SERIES | | | LEADFREE
| | | 4 FT
| | | 20 AWG
| | | 04 TO 04 WAY

DESCRIPTION: ASSEMBLY 4 FT CABLE,GPS