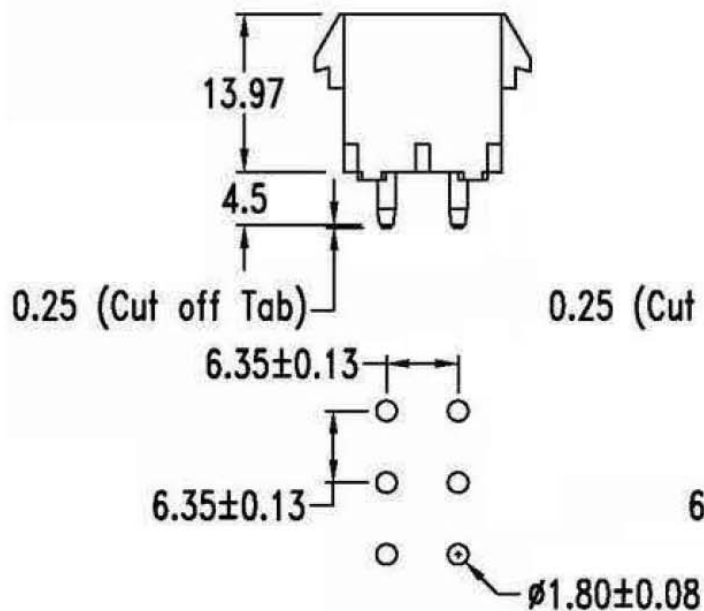
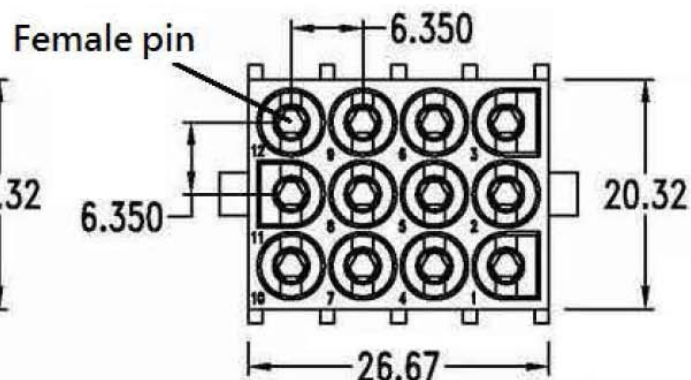
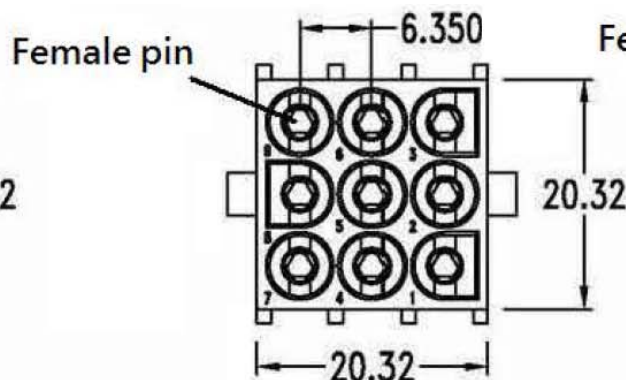
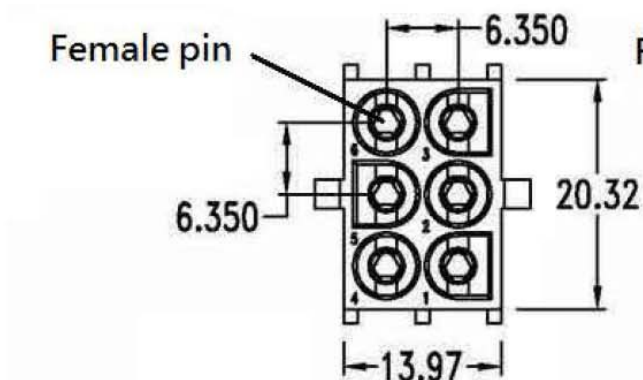


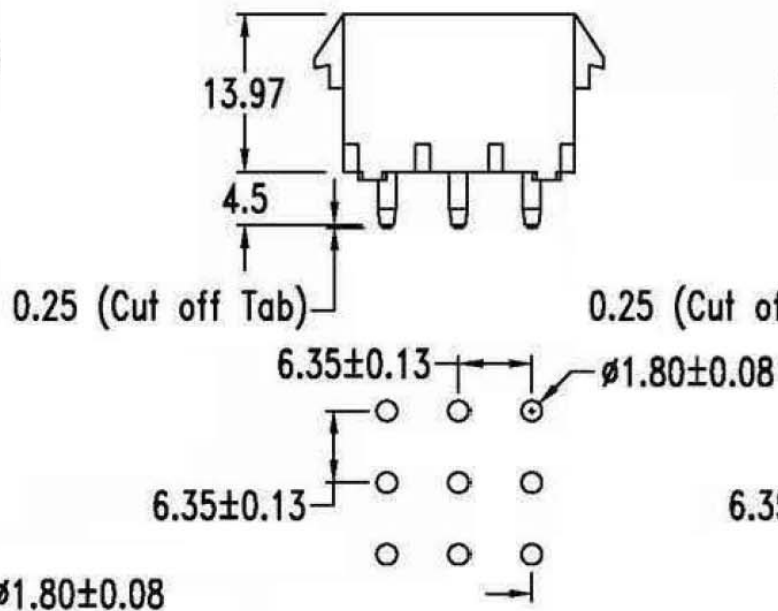
UL-SDX-3X02

UL-SDX-3X03

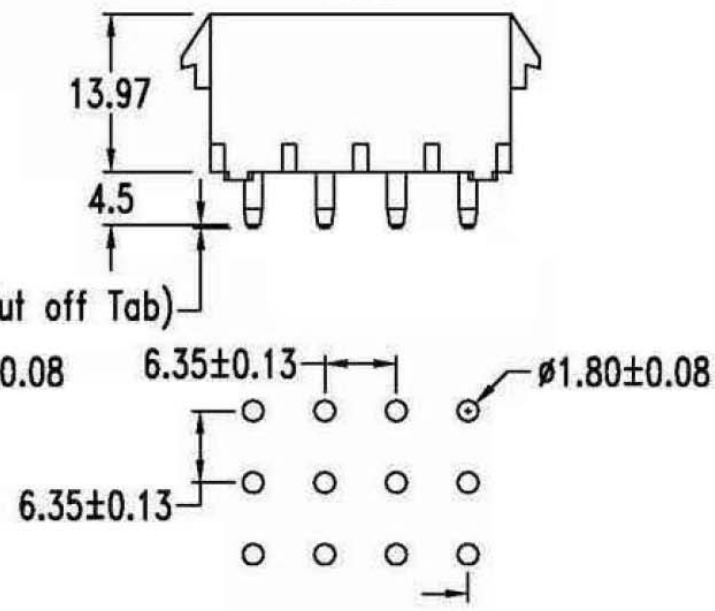
UL-SDX-3X04



P. C. board layout



P. C. board layout



P. C. board layout

RoHS Compliant

TOLERANCES ARE

MORETHANALL
PCB CONNECTORS
Cable ASSEMBLIES

煜倫股份有限公司

www.morethanall.com

DRAWING BY CY

CHECKED BY GENIUS

UNIT / mm SCALE 1 : 1

DATE

SIZE A4

X, ±
.X ± 0.40
.XX ± 0.25
.XXX ± 0.08
ANG ±

P PROJECTION

照片框

ORDER INFORMATION

UL-SDX-3Xxx-LF

SERIES | LEADFREE
3X02:06 WAY
3X04:12 WAY
NON POST
DIP 180°
FEMALE

DESCRIPTION: