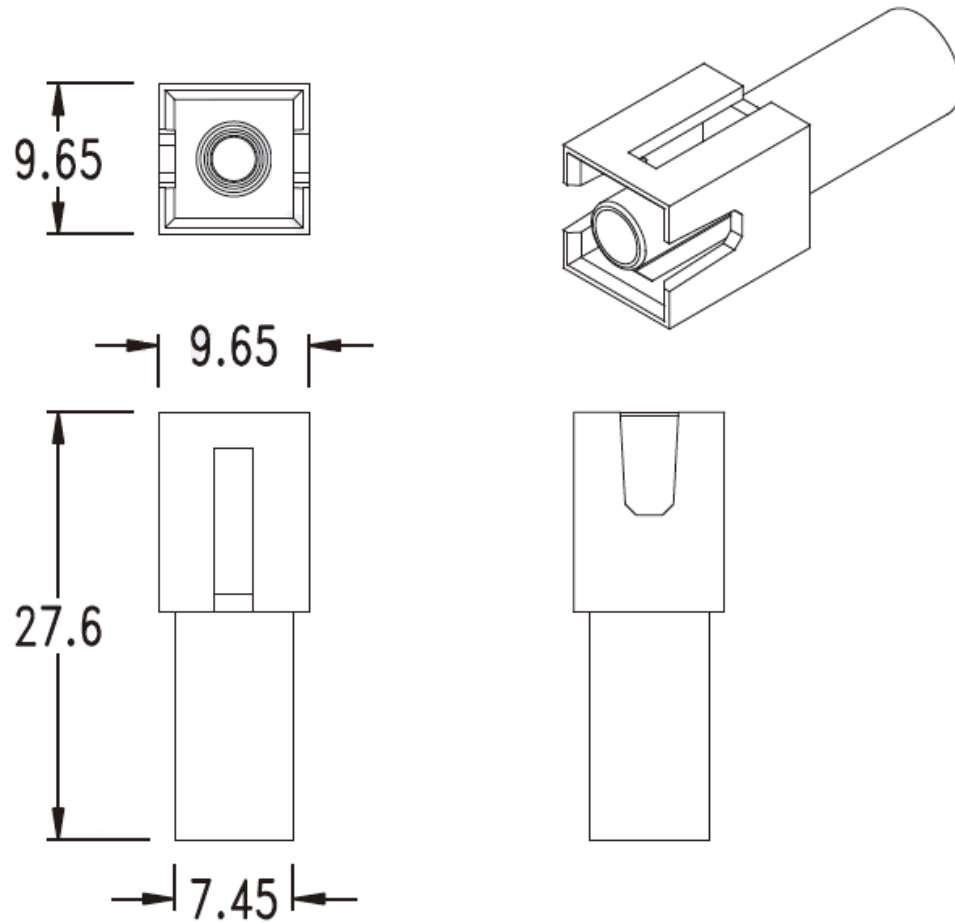


## Specification:

- Current rating: 13A
- Voltage rating: 600V
- Insulation resistance: 1000M $\Omega$  Min.
- Dielectric withstanding voltage: 5000V AC/minute
- Ambient temperature range: -55°C ~ 105°C

## Material

UL 94V-2 nylon 66



RoHS Compliant

TOLERANCES ARE

**MORETHANALL**  
PCB CONNECTORS  
Cable ASSEMBLIES

DRAWING BY CY

CHECKED BY GENIUS

UNIT / mm

SCALE 1 : 1

DATE

SIZE A4

X,  $\pm$   
.X  $\pm$  0.25  
.XX  $\pm$  0.15  
.XXX  $\pm$  0.05  
ANG  $\pm$

PJECTION

照片框

ORDER INFORMATION

UL-P-1X01-LF  
SERIES | LEADFREE  
01WAY  
MALE HOUSING

煜倫股份有限公司

www.morethanall.com

DESCRIPTION: .25"(6.35mm) Male Crimp Terminal