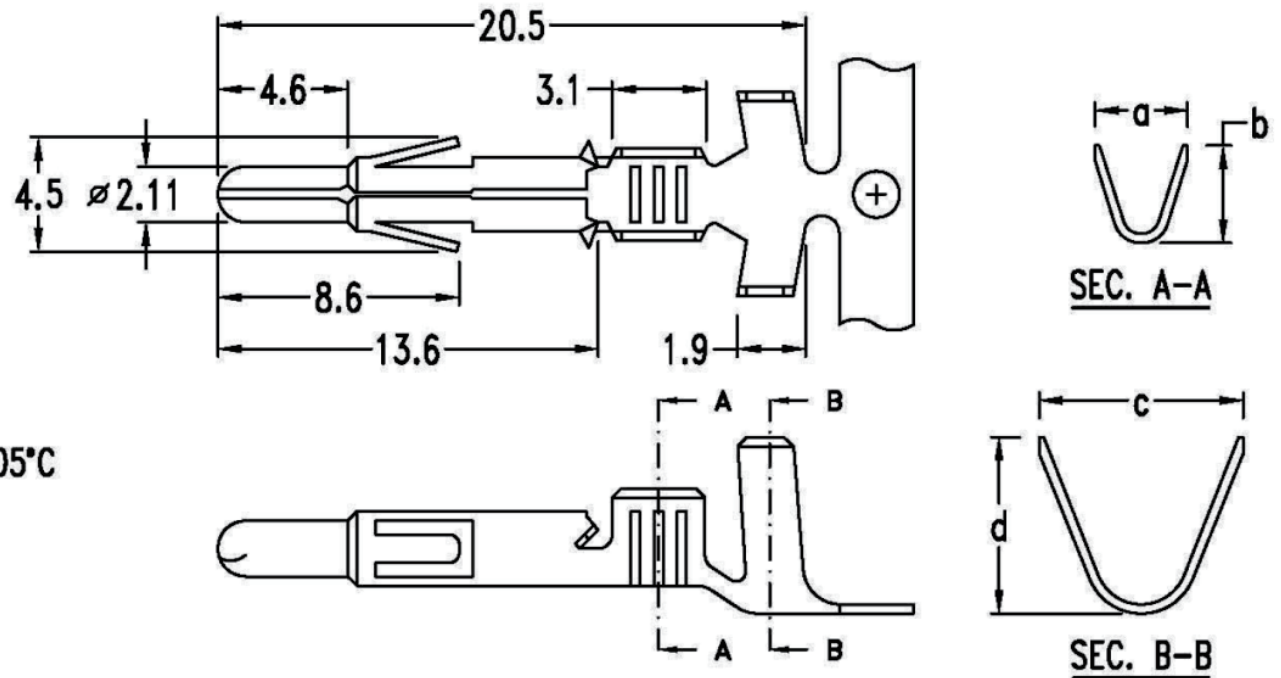


## Features / Specifications:

- Current rating: 13A
- Voltage rating: 600V
- Ambient temperature range: -55°C ~ 105°C



## Ordering & Dimensional Information ( mm )

Part No.	Dimension				Wire range	Material	Thickness	Finish
	a	b	c	d				
UL-M-18	2.3	2.4	3.3	3.4	#18 ~ #22	Brass	0.3mm	Tin-plated
UL-M-16	2.9	3.5	4.5±0.4	4.5±0.4	#16 ~ #20			

RoHS Compliant

TOLERANCES ARE

**MORETHANALL**  
PCB CONNECTORS  
Cable ASSEMBLIES

DRAWING BY CY

CHECKED BY GENIUS

UNIT / mm

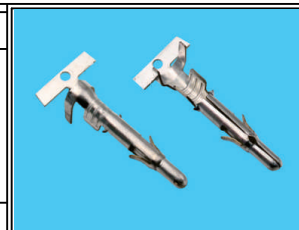
SCALE 1 : 1

DATE

SIZE A4

PPOJECTION

X, ±  
.X ±  
.XX ±  
.XXX ±  
ANG ±



ORDER INFORMATION

UL-M-xx-LF  
SERIES | LEADFREE  
16:16~20AWG  
18:18~22AWG  
MALE TERMINAL

煜倫股份有限公司

www.morethanall.com

DESCRIPTION: