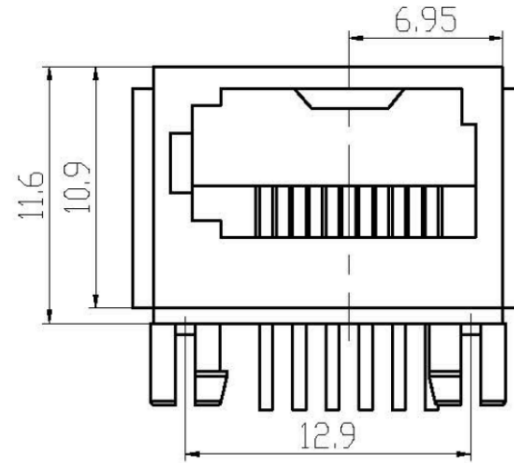
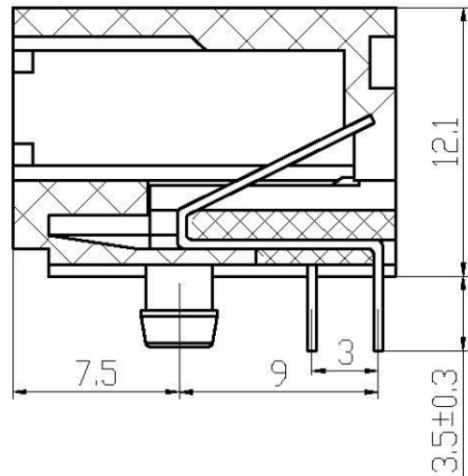


PC Board Layout

PCB JACK Specification

1. Insulation Resistance: 500M ΩMIN @ 500 VDC
2. Withstanding Voltage: AC1000V 50Hz or 60Hz lmin.
3. Durability: 600 Mating Circles MIN.
4. Gold Plating: (3;6;15;30;50)u inch
5. Tolerances Unless Otherwise Specified
 .0±0.25 .00±0.20 .000±0.10



RoHS Compliant

TOLERANCES ARE

MORETHANALL
 PCB CONNECTORS
 Cable ASSEMBLIES

DRAWING BY CY
 CHECKED BY GENIUS
 UNIT / mm SCALE 1 : 1
 DATE

X. ±
 .X ±
 .XX ±
 .XXX ±
 ANG ±

照片框

ORDER INFORMATION

UK-JRP-0606-LF
 SERIES POST JACK
 LEADFREE
 6P6C
 DIP 90°

煜倫股份有限公司

www.morethanall.com

SIZE A4 PPROJECTION

DESCRIPTION: 英式6P6C PCB 卡扣朝左