

MATERIAL

Insulator : NY66 + 30% Glass fiber

Contact Pin : Brass

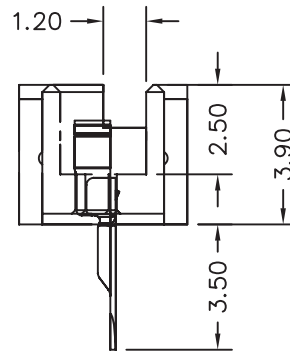
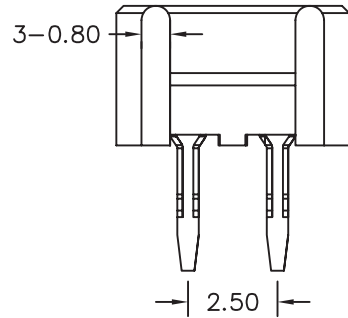
SPECIFICATION

Current Rate : 1 AMP

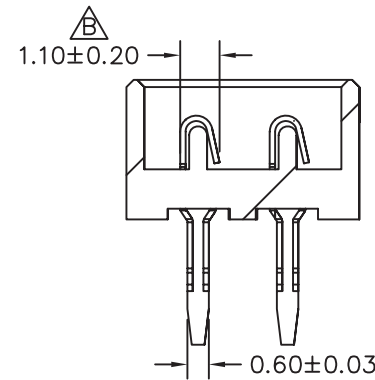
Insulation Resistance : 500MΩMin

Contact Resistance : 20mΩMax

Dielectric Voltage : AC 500V for one minute

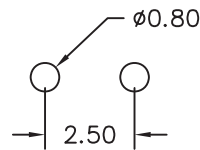


B-B



A-A

UI-D-02-LF
LEADFREE
RoHS Compliant



Recommended P.C.B Layout

MORETHANALL
CONNECTORS
ASSEMBLIES

PART NO. UI-D-02

DWG NO. UI-D-02

FILE NO.

CHECKED BY CY

DRAWING BY

TOLERANCES ARE

.X ± 0.2
.XX ±
.XXX ±
AWG

DESCRIPTION:

煜倫股份有限公司

UNIT / mm

SCALE 1:1

PROJECTION



AREA

REVISIONS

HK

DATE