

(A3)

Material:

Housing: 30% Glass filled PBT UL94V-0.

Contacts: Phosphor Bronze.

Plating: 6um Ag over 2um Ni

Electrical Characteristics:

Current Rating: 15 AMP.

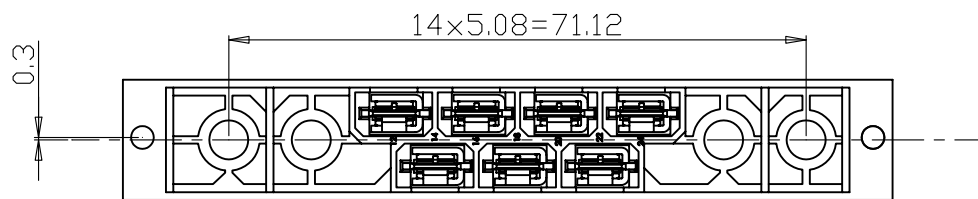
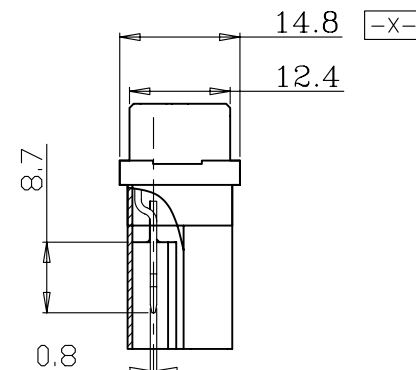
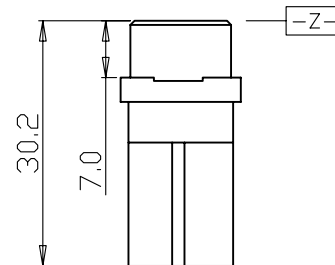
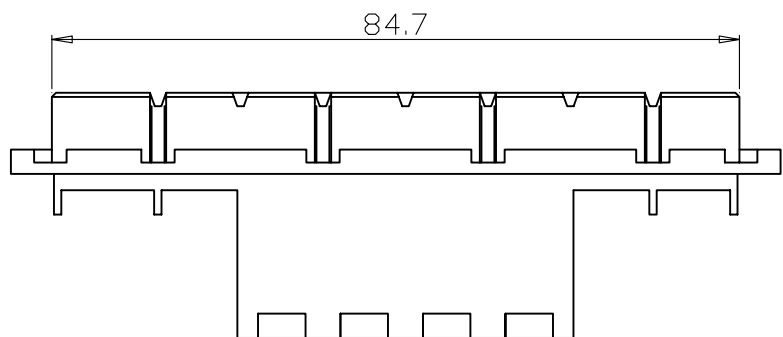
Dielectric Withstanding Voltage: AC 3100V For 1 minute.

Insulator Resistance: 1000MΩ min. at DC 500V.

Contact Resistance: 8mΩ max. at DC 100mA.

Operating Temperature: -55°C ~ +105°C .

***RoHS Compliant**



UHW-SQ6-07+4-LF
LEADFREE
RoHS Compliant

MORETHANALL
CONNECTORS
ASSEMBLIES

PART NO. UHW-SQ6-07+4		CHECKED BY CY	TOLERANCES ARE .X ± 0.2 .XX ± .XXX ± AWG	DESCRIP TION:			
DWG NO. UHW-SQ6-07+4							
FILE NO.		DRAWING BY	PROJECTION	AREA	REVISIONS	HK	DATE
UNIT / mm	SCALE 1:1						

煜倫股份有限公司