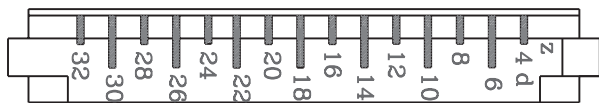
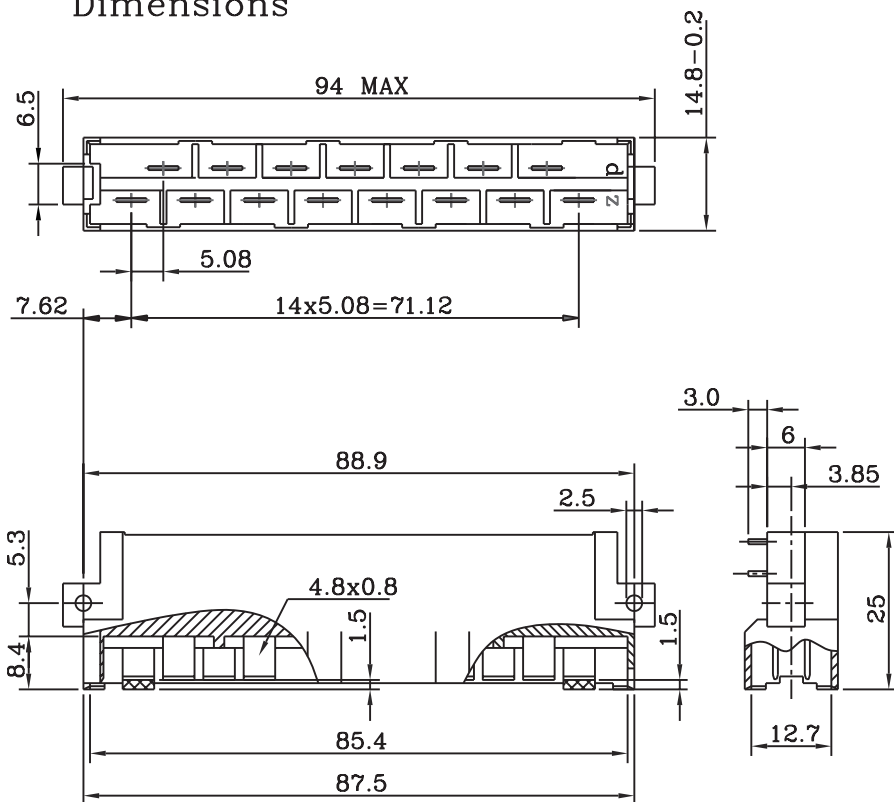


Contact arrangement
View from termination side



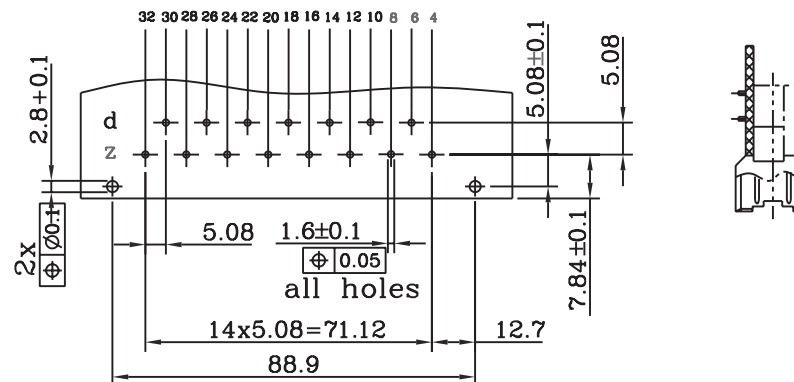
Dimensions



Technical data

Housing	PBT & 30%Class Fiber(UL94-0)
Contact	Male : Brass
Operating temperature	-55°C~+105°C
Contact resistance	8m(ohm)max.at DC 100mA
Insulator resistance	1000M(ohm)min.at DC 500V
Current rating	15 AMP
Withstanding voltage	AC 3100V for 1 minute
Insertion force	90N max
Withdrawal force	0.2N/pin min
Contact Rating	Ag Plating

Recommended P.C.B. layout



RoHS Compliant

MORETHANALL
PCB CONNECTORS
Cable ASSEMBLIES

煜倫股份有限公司

www.morethanall.com

DRAWING BY CY

CHECKED BY GENIUS

UNIT/mm

SCALE 1:1

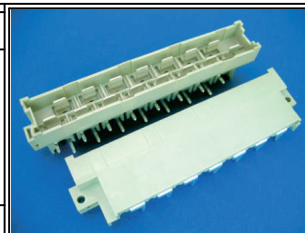
DATE

SIZE A4

TOLERANCES ARE

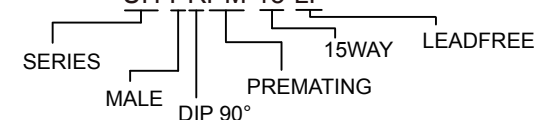
X.±
.X±
.XX±
.XXX±
ANG±

P PROJECTION



ORDER INFORMATION

UH-PRPM-15-LF



DESCRIPTION: DIN 41612 EUROCARD CONNECTORS RIGHT ANGLE MALE TYPE