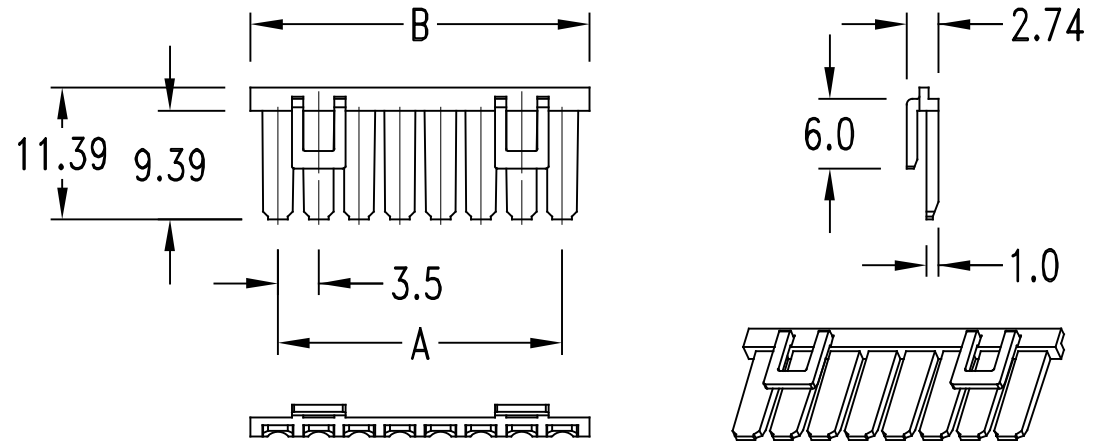


Features:

- 2 ~ 8 circuits available
- Material: PA66 UL 94V-0 Black/Natural

Specification:

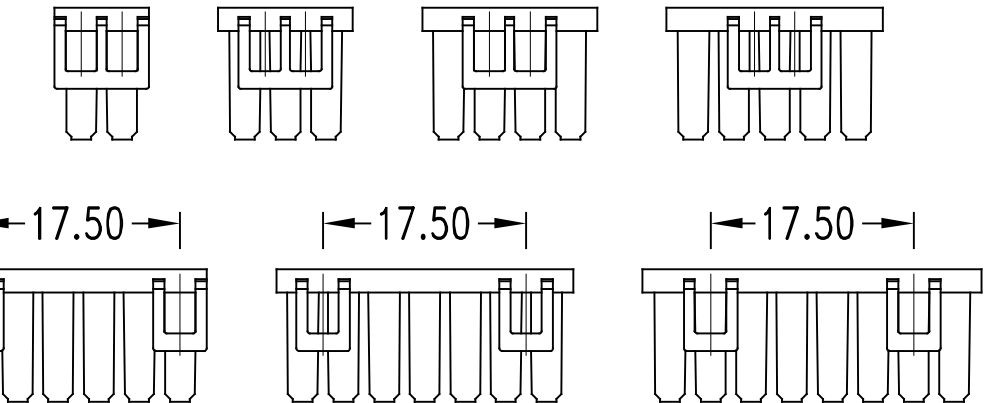
- ⚠ Current rating: 14A at #16 AWG for 2 poles
8A at #16 AWG for other poles
- Voltage rating: 400V AC (RMS) or 400V DC Max.
- Contact resistance: 10mΩ Max.
- Dielectric withstanding voltage: 1800V AC/minute
- Ambient temperature range: -40°C ~ 105°C



Dimensional Information (mm)

Circuits	Dim. A	Dim. B
2	3.5	8.1
3	7.0	11.6
4	10.5	15.1
5	14.0	18.6
6	17.5	22.1
7	21.0	25.6
8	24.5	29.0

3.50



Ordering Information

Part No.	Color
UF35-SRBK-1Xxx	Black
UF35-SRWH-1Xxx	Natural

RoHS Compliant

TOLERANCES ARE

MORETHANALL
PCB CONNECTORS
Cable ASSEMBLIES
煜倫股份有限公司

DRAWING BY CY

CHECKED BY GENIUS

UNIT / mm

SCALE 1 : 1

DATE

SIZE A4

X, ±
.X ± 0.40
.XX ± 0.25
.XXX ± 0.08
ANG ±

PJECTION

照片框

ORDER INFORMATION

UF35-SRcc-1Xxx-LF
SERIES | LEADFREE
1X02:02WAY
1X08:08WAY
BK:BLACK
WH:NATURAL
STRAIN RELIEF

DESCRIPTION: .138"(3.5mm) Crimp Terminal Housing TPA

www.morethanall.com