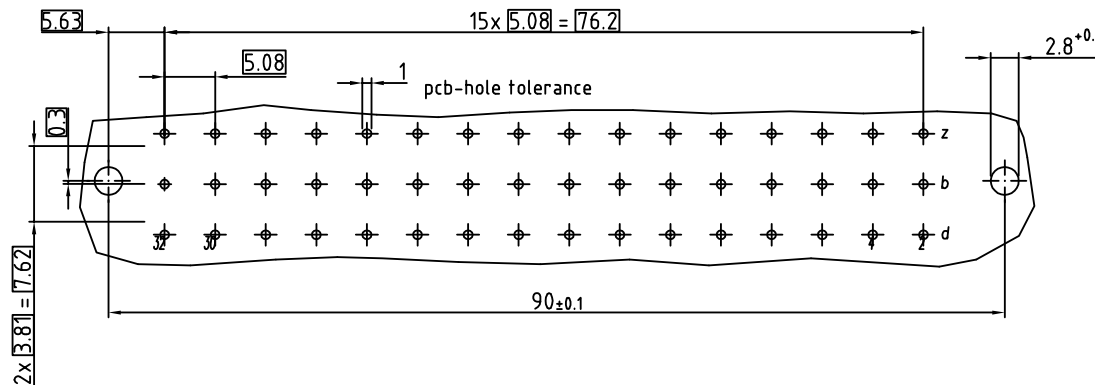
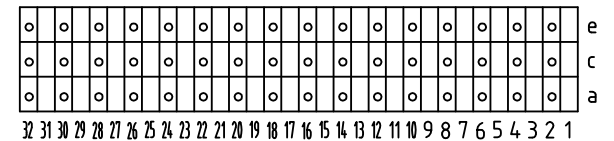


UF-SP-3X16 F48F-low z,b,d  
Tcom 4,6mm GK II / class 2

○ Standard Kontakt / Standard Contact



RoHS Compliant

TOLERANCES ARE

**MORETHANALL**  
PCB CONNECTORS  
Cable ASSEMBLIES

DRAWING BY CY

X, ±

CHECKED BY GENIUS

.X ±

UNIT / mm

SCALE 1 : 1

.XX ±

DATE

.XXX ±

ANG ±

煜倫股份有限公司

SIZE A4

PJECTION

www.morethanall.com

照片框

ORDER INFORMATION

UF-SP-3X16-LF

SERIES | LEADFREE  
48 WAY  
180° PRESS FIT  
FEMALE

DESCRIPTION: F-Federleiste, flach; Tcom 4,6mm F-female connector, low; Tcom 4,6mm