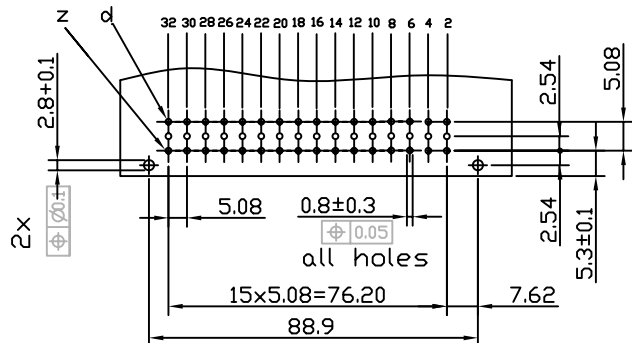
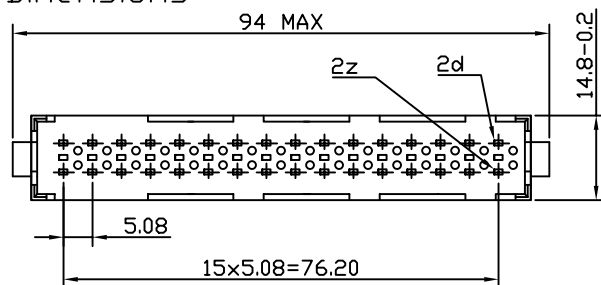


Dimensions



Recommended P.C.B. layout

Technical data

Housing	PBT & 30%Class Fiber(UL94-0)
Contact	Male : Phosphor Bronze
Operating temperature	-55°C~+105°C
Contact resistance	30m(ohm)max.at DC 100mA
Insulator resistance	1000M(ohm)min.at DC 500V
Current rating	5.6 AMP
Withstanding voltage	AC 1000V for 1 minute
Insertion force	75N max
Withdrawal force	0.15N/pin min
Contact Rating	Selective gold, Plating

Ordering Information

NO. OF CONTACTS		32
POSITION		d+z

RoHS Compliant

TOLERANCES ARE



煜倫股份有限公司

www.morethanall.com

DRAWING BY CY

CHECKED BY GENIUS

UNIT / mm

SCALE 1 : 1

DATE

SIZE A4

PJECTION

X.±
.X±
.XX±
.XXX±
ANG±

照片框

ORDER INFORMATION

UF-PR-2X16-LF
SERIES | LEADFREE
32 WAY
DIP 90°
MALE

DESCRIPTION: Right Angle Male Type F48 Connectors