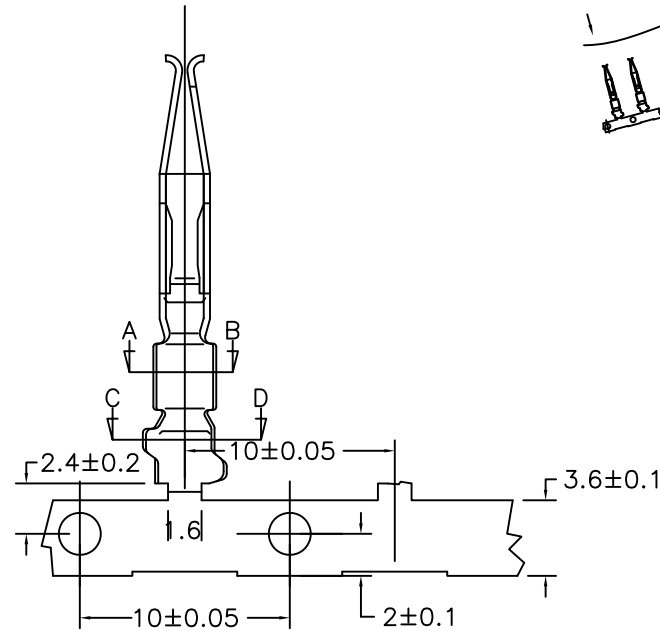
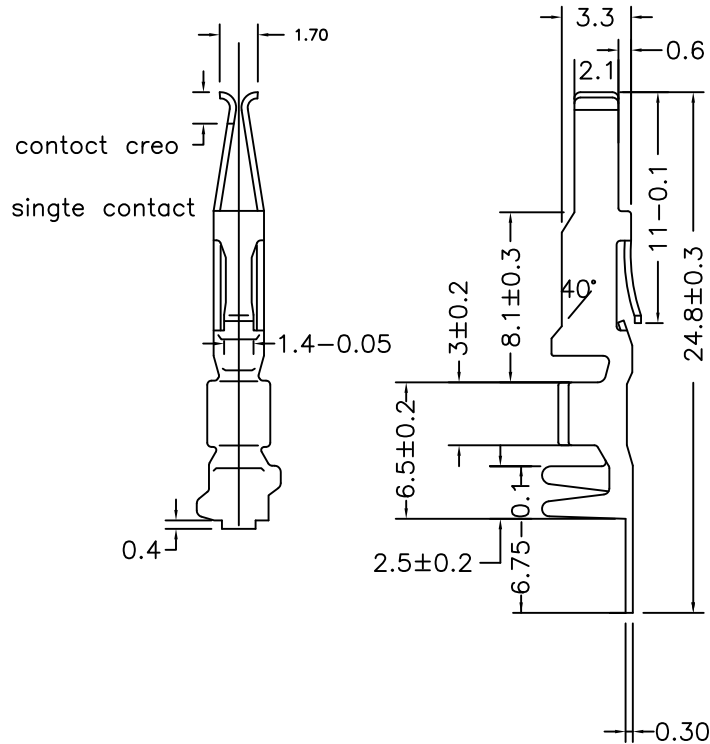
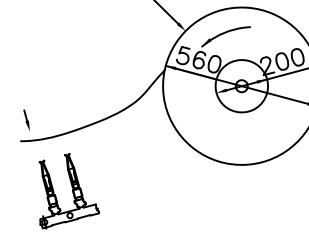


CONTACT: COPPER ALLOY.
 PLATING: MATING AREA - 200u TIN OVER 50u NICKEL.
 PACKING: 4000PCS PER REEL

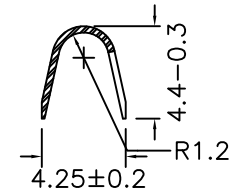
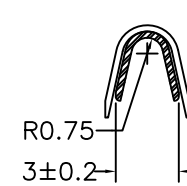
wind off direction

4000 pieces per wheel



schnitt A-B

schnitt C-D



RoHS Compliant

TOLERANCES ARE

MORETHANALL
 PCB CONNECTORS
 Cable ASSEMBLIES

煜倫股份有限公司

www.morethanall.com

DRAWING BY CY

CHECKED BY GENIUS

UNIT / mm SCALE 1 : 1

DATE

SIZE A4

X, ±

.X ±

.XX ±

.XXX ±

ANG ±

P PROJECTION

照片框

ORDER INFORMATION

UF-FT-16-LF
 SERIES | LEADFREE
 16 AWG
 TERMINAL
 FEMALE

DESCRIPTION: