

**Material:**

Housing: 30% Glass Filled PBT UL94V-0.

Contacts: Phosphor Bronze.

Lock: Phosphor Bronze.

**Electrical Characteristics:**

Current Rating: 2 AMP.

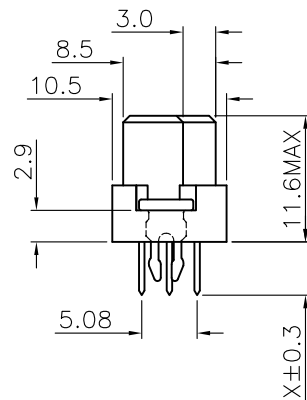
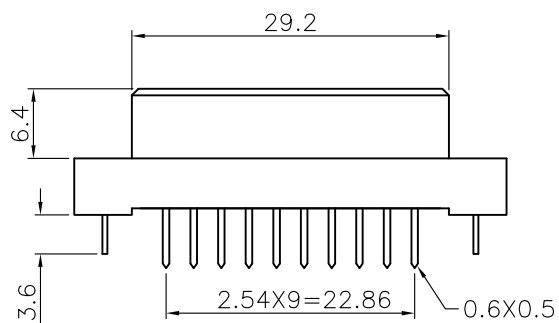
Dielectric Withstanding Voltage: AC 1000V For 1 minute.

Insulator Resistance: 1000MΩ min. at DC 500V.

Contact Resistance: 30mΩ max. at DC 100mA.

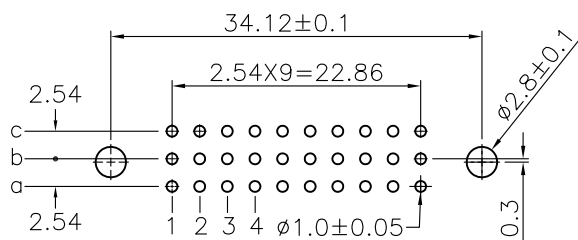
Operating Temperature: -55°C ~ +105°C .

**\*RoHS Compliant**



UC-SD<sub>xx</sub>Z-3X10-LF  
LEADFREE  
BLANK: 4.0mm  
02: 2.5mm  
13: 13.0mm  
17: 17.0mm

RoHS Compliant



P.C. Board Layout  
(Tolerance: ±0.05)

Length	1	2	W1	W2
X	4.0	2.5	13	17

**MORETHANALL**  
CONNECTORS  
ASSEMBLIES

PART NO. UC-SD<sub>xx</sub>Z-3X10

DWG NO. UC-SD<sub>xx</sub>Z-3X10

CHECKED BY CY

TOLERANCES ARE

DESCRIP TION:

FILE NO.

DRAWING BY

.X ± 0.2

.XX ±

.XXX ±

AWG

AREA

REVISIONS

HK

DATE

焯倫股份有限公司

UNIT / mm

SCALE 1:1

PROJECTION

