

**Material:**

Housing: Thermoplastic Polyester Glass Filled UL94V-0.

Contacts: Copper Alloy.

Lock: Copper Alloy.

**Electrical Characteristics:**

Current Rating: 2 AMP.

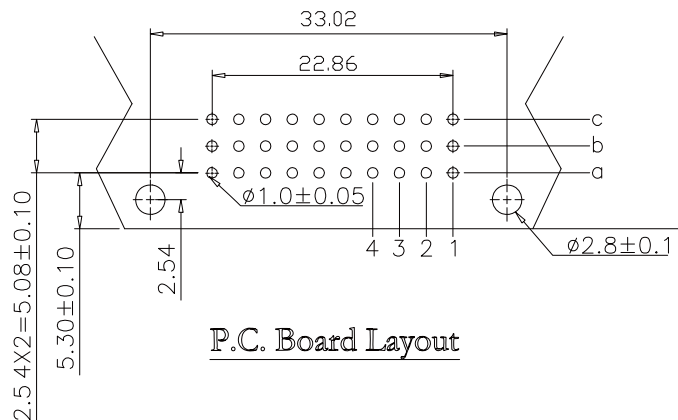
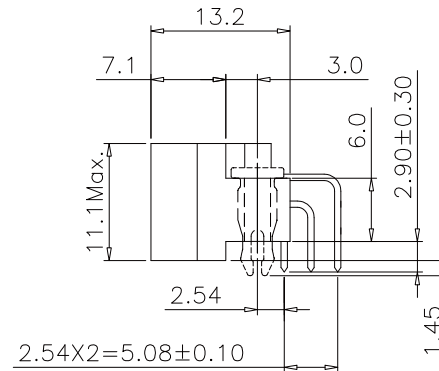
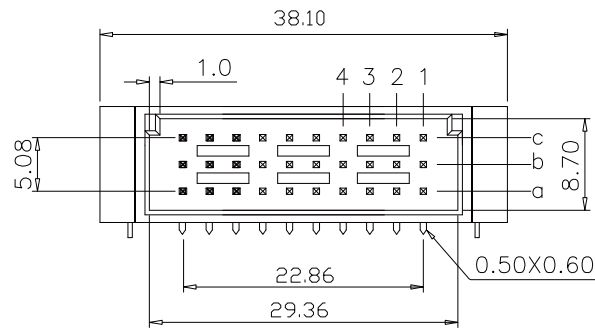
Dielectric Withstanding Voltage: AC 1000V For 1 minute.

Insulator Resistance: 1000MΩmin. at DC 500V.

Contact Resistance: 20mΩmax. at DC 100mA.

Operating Temperature: -55°C ~ +125°C.

\*RoHS Compliant



P.C. Board Layout

**RoHS Compliant**

TOLERANCES ARE

**MORETHANALL**  
PCB CONNECTORS  
Cable ASSEMBLIES

DRAWING BY CY

X.±

CHECKED BY GENIUS

.X±

UNIT / mm

SCALE 1 : 1

.XX±

DATE

.XXX±

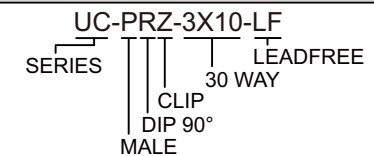
ANG ±

SIZE A4

PJECTION

照片框

**ORDER INFORMATION**



DESCRIPTION:

煜倫股份有限公司

www.morethanall.com