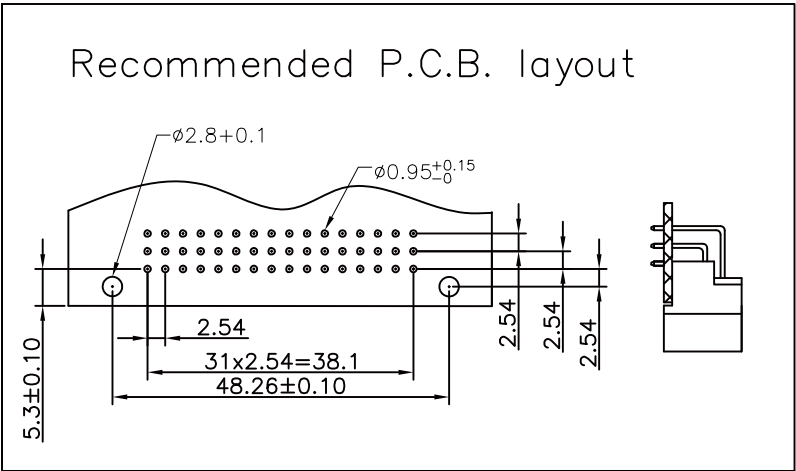
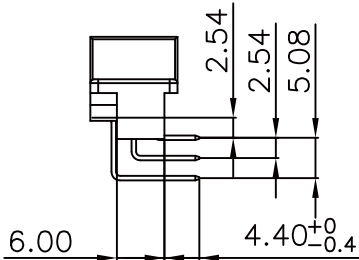
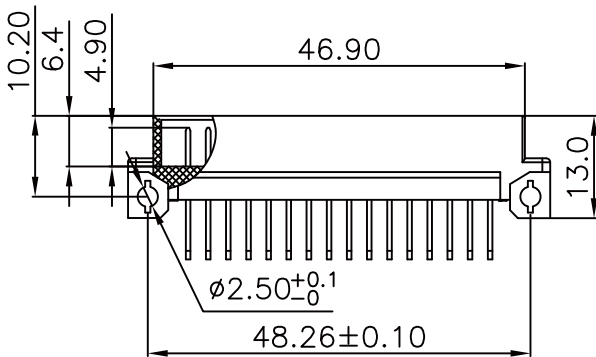
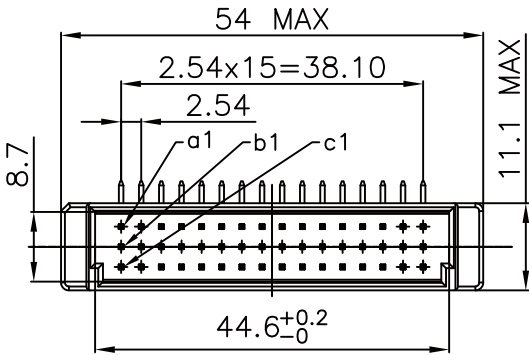


# DIN 41612 EUROCARD CONNECTORS

## Right Angle Male Type Half C Connectors

<b>Technical data</b>	
EURO DIN 41612:	Signal
Housing:	PBT & 30%Glass Fiber(UL94V-0)
Contact:	Male : Brass
Plating:	2U" Au plated on contact area, Tin-plated on tail
Operating temperature:	-55°C~+105°C
Contact resistance:	20m(ohm)max.
Insulator resistance:	10 <sup>8</sup> M(ohm)min.
Current rating:	2 AMP
Withstanding voltage:	AC 1000V for 1 minute



**RoHS Compliant**

TOLERANCES ARE

**MORETHANALL**  
PCB CONNECTORS  
Cable ASSEMBLIES

DRAWING BY CY

X.±

CHECKED BY GENIUS

.X±

UNIT / mm

SCALE 1 : 1

.XX±

DATE

.XXX±

ANG±

SIZE A4

PJECTION

照片框

**ORDER INFORMATION**

UC-PR44-3X16-LF  
SERIES LEADFREE  
48 WAY  
DIP 4.4mm  
DIP 90°  
MALE

DESCRIPTION:

煜倫股份有限公司

www.morethanall.com