

SPECIFICATIONS

Material

Insulator : PBT, glass reinforced, rated UL 94V-0

Contact : Phosphor Bronze

Electrical

Current Rating : 1 Amp

Contact Resistance : 30 mΩ max.

Insulation Resistance : 3000 MΩ min.

Dielectric Withstanding Voltage : 500V AC for 1minute

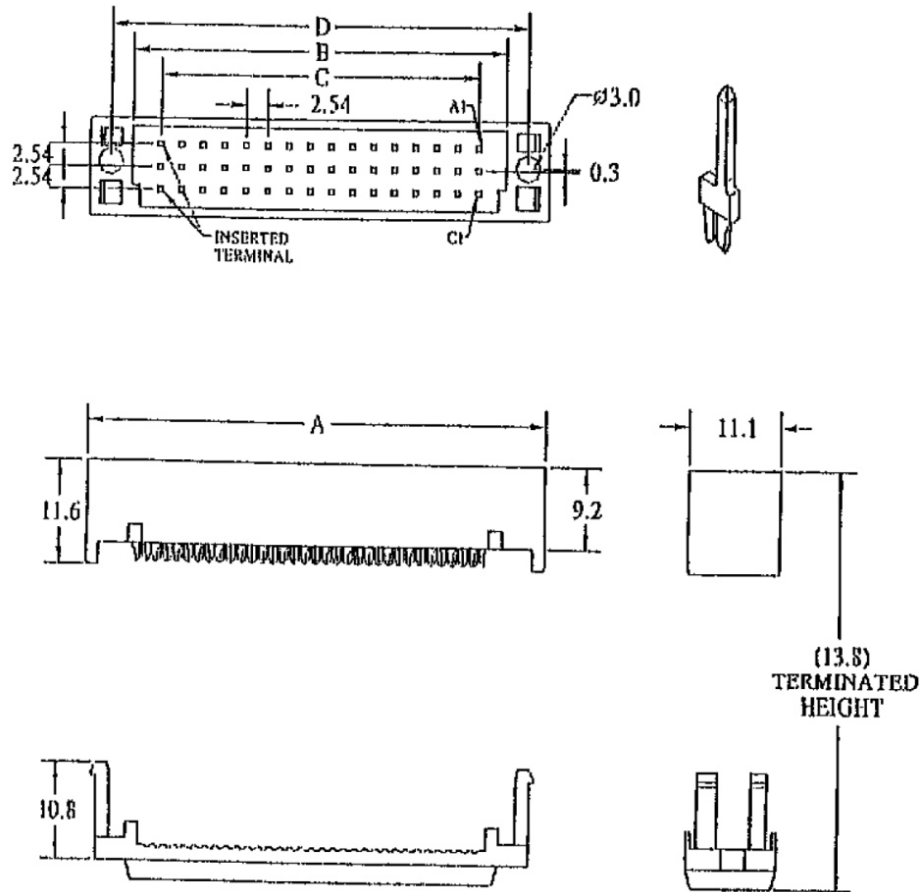
Operating Temperature : -40°C to +105°C

* Terminated with 1.27mm pitch flat ribbon cable.

POSITION	A	B	C	D
32(A+C)	55	44.8	38.10	50
64(A+C)	95	85.4	78.74	90

UC-PF-2Xxx-LF
LEADFREE
2X16:32WAY
2X32:64WAY

RoHS Compliant



MORETHANALL
CONNECTORS
ASSEMBLIES

PART NO. UC-PF-2Xxx

DWG NO. UC-PF-2Xxx

FILE NO.

UNIT / mm

SCALE 1:1

CHECKED BY CY

DRAWING BY

PROJECTION



TOLERANCES ARE

.X ± 0.2
.XX ± 0.1
.XXX ±
AWG

DESCRIPTION:

AREA

REVISIONS

HK

DATE

煜倫股份有限公司