

A	COLOR	B
1	RED	1
2	WHITE	2
3	GREEN	3
4	BLACK	4
SHELL	BRAID	NC

NOTES:

1. ALL DIMENSIONS ARE "mm".
2. THE PRODUCT MUST BE COMPLY WITH THE DIRECTIVE OF ROHS.

ELECTRICAL TESTING:

1. 100% OPEN/SHORT TEST
2. CONTACT RESISTANCE: 5mΩ
3. INSULATION RESISTANCE: 5MΩ Min

NO.	ITEM.	DESCRIPTION	Q'TY	UL/CSA No.
1	WIRE:	UL2725 #28*1PR(WHITE, GREEN)+#28*2C(RED, BLACK) +AEB JACKET:BLACK OD:φ3.5 USB2.0	1PCS	E238846
2	CONN:	USB A TYPE MALE 4P WHITE 30U"	1PCS	
3	MOLDED:	PVC 45P BLACK	8.5G	
4	HOUSING:	ZHQ-H-04	1PCS	
5	TERMINAL:	ZHQ-T-24	4PCS	
6	SHRINK TUBE:	4φ*20mm BLACK F32	1PCS	

RoHS Compliant

TOLERANCES ARE

**MORETHANALL**  
PCB CONNECTORS  
Cable ASSEMBLIES

DRAWING BY CY

X.±

CHECKED BY GENIUS

.X±

UNIT / mm

SCALE 1:1

.XXX±

DATE

ANG±

SIZE A4

PJECTION



ORDER INFORMATION

UBZHQ-4A0428R1-F16N-LF

SERIES

LEADFREE

406.4mm

FEMALE TO FEMALE

ROUND CABLE

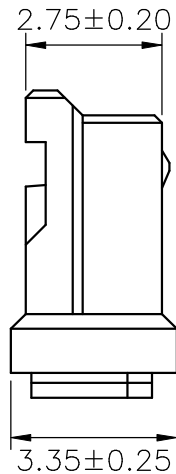
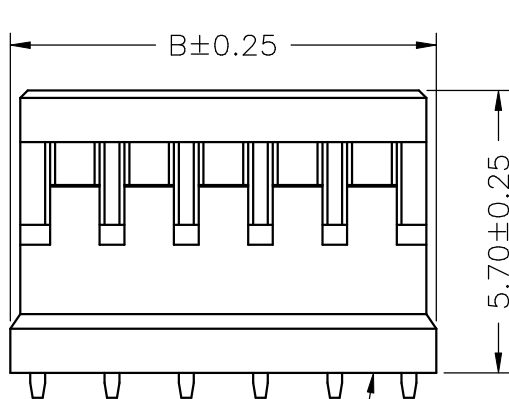
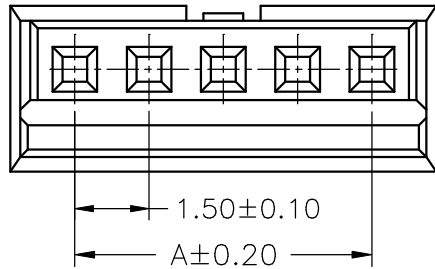
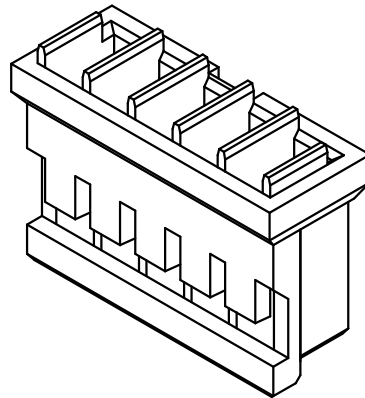
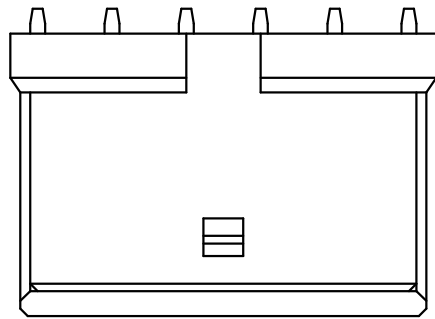
28 AWG

4 PIN ATYPE TO 04 WAY

煜倫股份有限公司

www.morethanall.com

DESCRIPTION: CABLE ASS'Y



Circuit 1

**SPECIFICATIONS**

Current Rating: 3A AC,DC  
 Voltage Rating: 350V AC,DC  
 Temperature Range: -25°C ~ +85°C  
 Contact Resistance: 20mΩ Max.  
 Insulation Resistance: 1000MΩ Min.  
 Withstanding Voltage: 500V AC/minute  
 Material: Nylon 66,UL94V-0  
 Color: Natural(White)

**Ordering Information & Dimensions**

PART NO.	Dimensions	
	A	B
ZHQ-H-02	1.50	4.10
ZHQ-H-03	3.00	5.60
ZHQ-H-04	4.50	7.10
ZHQ-H-05	6.00	8.60
ZHQ-H-06	7.50	10.10
ZHQ-H-07	9.00	11.60
ZHQ-H-08	10.50	13.10
ZHQ-H-09	12.00	14.60
ZHQ-H-10	13.50	16.10
ZHQ-H-11	15.00	17.60
ZHQ-H-12	16.50	19.10
ZHQ-H-13	18.00	20.60
ZHQ-H-14	19.50	22.10
ZHQ-H-15	21.00	23.60

**RoHS Compliant**

TOLERANCES ARE

**MORETHANALL**  
PCB CONNECTORS  
Cable ASSEMBLIES

煜倫股份有限公司

www.morethanall.com

DRAWING BY CY

CHECKED BY GENIUS

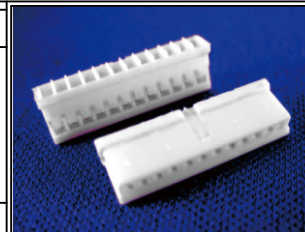
UNIT/mm SCALE 1:1

DATE

SIZE A4

X, ±  
.X ±  
.XX ±  
.XXX ±  
ANG ±

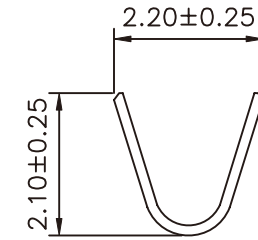
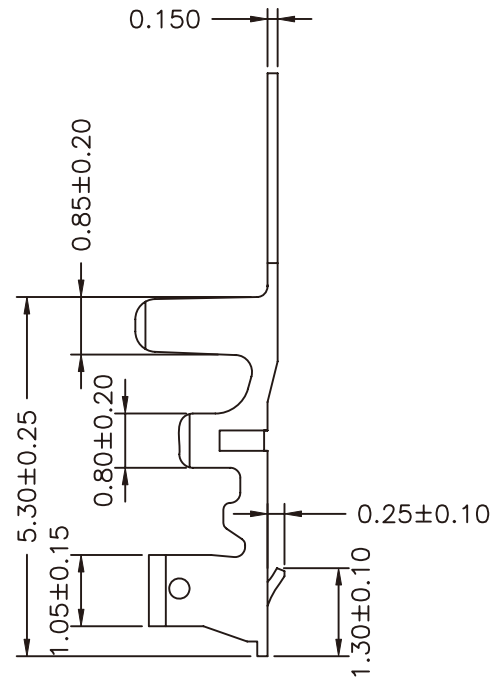
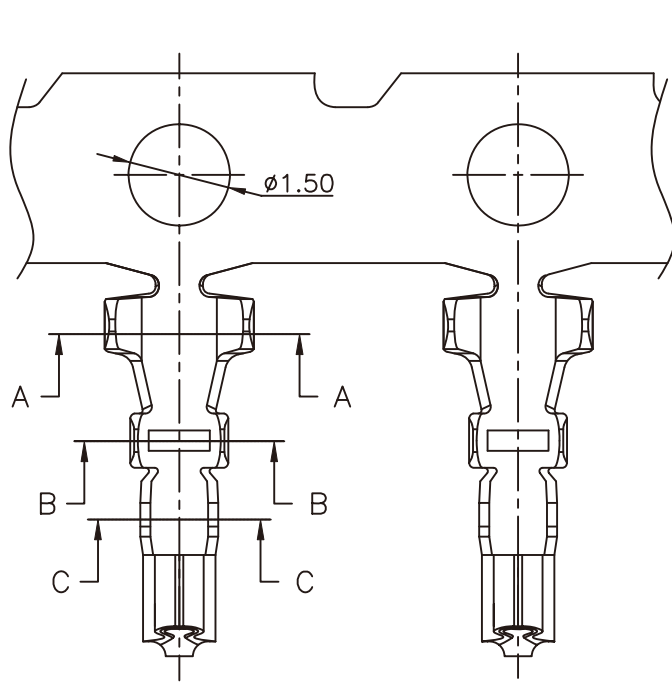
PJECTION



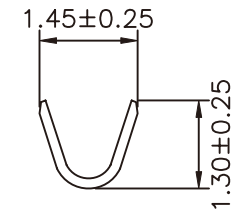
**ORDER INFORMATION**

ZHQ-H-xx-LF  
 SERIES | LEADFREE  
 | 02-15WAY  
 HOUSING

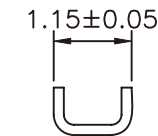
DESCRIPTION: 1.50mm PITCH HOUSING



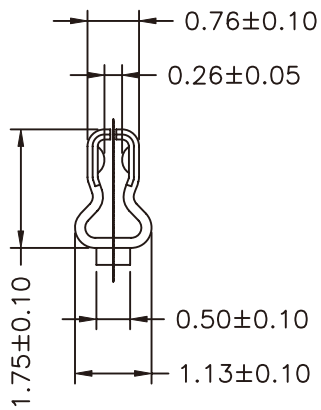
SEC:A-A



SEC:B-B



SEC:C-C



Ordering Information & Specifications

Part No	Wire Range	Insulation O.D.	Material	Finish	Qty/reel
ZHQ-T-24	AWG#24-#28	1.10mm(max)	Phosphor Bronze	Tin-plated	10,000pcs

RoHS Compliant

TOLERANCES ARE

**MORETHANALL**  
PCB CONNECTORS  
Cable ASSEMBLIES

煜倫股份有限公司

www.morethanall.com

DRAWING BY CY

CHECKED BY GENIUS

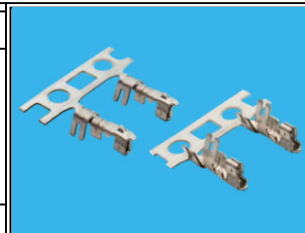
UNIT / mm SCALE 1:1

DATE

SIZE A4

X, ±  
.X ± 0.25  
.XX ± 0.15  
.XXX ± 0.05  
ANG ±

PPOJECTION



ORDER INFORMATION

ZHQ-T-24-LF  
SERIES | LEADFREE  
24~28 AWG  
TERMINAL

DESCRIPTION: 1.50mm PITCH CRIMP TERMINAL