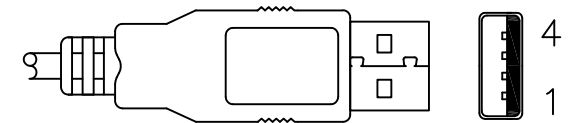


USB 3.0 A TYPE MALE

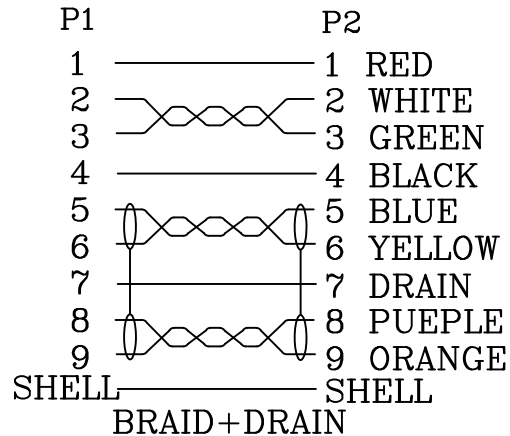
P1



USB 3.0 A TYPE MALE

P2

WIRING DIAGRAM



NOTES:

- 100% OPEN,SHORT & MISWIRE TESE.
- CONDUCTIVE RESISTANCE:2Ω/MAX.
- INSULATION RESISTANCE:5MΩ/MIN.AT DC 300V

3	PVC	15	G	45P PVC #BLUE
2	CONNECTOR	2	SET	USB A TYPE MALE 30U" #BLUE USB 3.0
1	CABLE	1800	mm	UL 2725 [7/0.12*1P+(7/0.12*1P+7/0.12+MYLAR)*2C+7/0.12+AL+7/0.12+80/0.1]*1C OD:5.0±0.1mm #BLUE 07-154
NO.	PART NO.	Q'TY	UNITS	DESCRIPTION

RoHS Compliant

TOLERANCES ARE

MORETHANALL
PCB CONNECTORS
Cable ASSEMBLIES

煜倫股份有限公司

www.morethanall.com

DRAWING BY CY

CHECKED BY GENIUS

UNIT / mm SCALE 1 : 1

DATE

SIZE A4

X. ±

.X ±

.XX ±

.XXX ±

ANG ±

PPOJECTION

照片框

ORDER INFORMATION

UBX2-9A9A28-M1M8-LF

SERIES

LEADFREE

1800mm

MALE TO MALE

28 AWG

9 PIN A TYPE TO 9 PIN A TYPE

DESCRIPTION: 3.0 USB CABLE L:1M BLUE