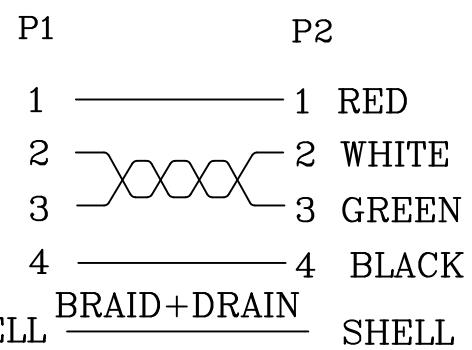


WIRING DIAGRAM



8	PVC	10	G	45P PVC #GRAY
7	LABLE	1	SET	J221(10*5)
6	LABLE	1	SET	KBD(10*5)
5	CORE	1	SET	B15 RH 9.8*25*5.2
4	TAPE	1	SET	YELLOW TAPE 471
3	TAPE	3	SET	BLUE TAPE 471
2	CONNECTOR	2	SET	USB A TYPE MALE PIN G/F #WHITE
1	CABLE	1120	mm	UL2725 28AWG*1P+24#*2C+AB65% OD:4.5MM #GRAY
NO.	PART NO.	Q'TY	UNITS	DESCRIPTION



PART NO. UBX2-4A4AFC-M1M11
 DWG NO. UBX2-4A4AFC-M1M11
 FILE NO.
 UNIT / mm SCALE 1:1

RoHS Compliant

CHECKED BY CY
 DRAWING BY
 PROJECTION

TOLERANCES ARE
 .X ± 0.2
 .XX ±
 .XXX ±
 AWG

DESCRIPTION:	USB A M/F+CORE L: 890mm GRAY			
AREA	REVISIONS	HK	DATE	

煜倫股份有限公司