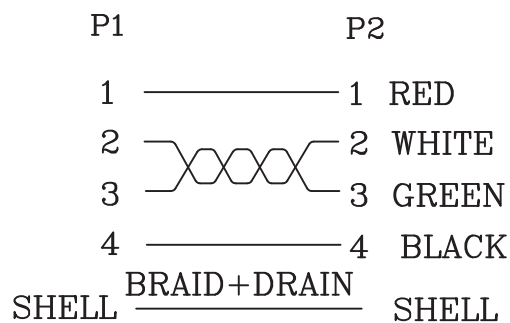


WIRING DIAGRAM



11	SCREW	2	SET	#34-40 7*5MM,18SCREW TEETH
10	TUBE	1	SET	UL/CSA125° 300V Ø1.5*8MM #BK
9	PVC	16	G	45P PVC CLR-002
8	PE	3	G	PE(LD)
7	LABLE	1	SET	J21(10*5)
6	LABLE	1	SET	F_USB(10*5)
5	CORE	1	SET	B15 RH 9.8*25*5.2
4	TAPE	1	SET	RED TAPE DTS-204
3	TAPE	1	SET	BLUE TAPE DTS-204
2	CONNECTOR	1 1	SET	USB A FEMALE 30U" #WHITE USB 2.0 USB A TYPE MALE 30U" #WHITE USB 2.0
1	CABLE	900	mm	UL2725 28AWG*1P+24#*2C+AB65% OD:4.5MM USB 2.0 CLR-002
NO.	PART NO.	Q'TY	UNITS	DESCRIPTION

RoHS Compliant

TOLERANCES ARE

**MORETHANALL**  
PCB CONNECTORS  
Cable ASSEMBLIES

煜倫股份有限公司

www.morethanall.com

DRAWING BY CY

CHECKED BY GENIUS

UNIT / mm SCALE 1:1

DATE

SIZE A4

X.±  
.X±  
.XX±  
.XXX±  
ANG±

PJECTION

照片框

ORDER INFORMATION

UBX2-4A4A2VFCPE-E78C-LF

SERIES

LEADFREE

780mm

MALE TO FEMALE

PANEL EAR

FERRITE CORE

2.0 REV

4 PIN TO 4 PIN A TYPE

DESCRIPTION: USB A M/F+CORE L: 780mm