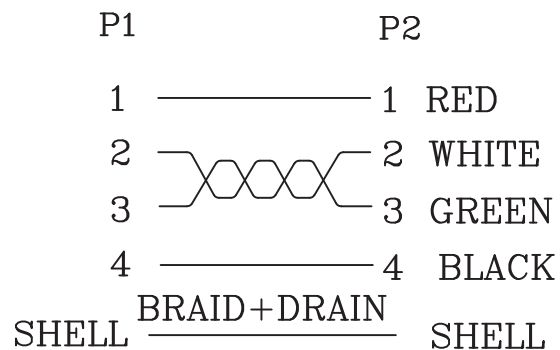


WIRING DIAGRAM



10	SCREW	2	SET	#4-40 7*5MM
9	PVC	15	G	45P PVC CLR-002
8	PE	4	G	PE (LD)
7	LABLE	1	SET	J223(10*5)
6	LABLE	1	SET	PRN(10*5)
5	CORE	1	SET	B15 RH 9.8*25*5.2MM
4	TYPE	1	SET	RED TYPE DTS-204
3	TYPE	1	SET	BLUE TYPE DTS-204
2	CONNECTOR	1 1	SET	USB A FEMALE 30U" #WHITE USB 2.0 USB A TYPE MALE 30U" #WHITE USB 2.0
1	CABLE	1240	mm	UL2725 28AWG*1P+24#*2C+AB65% OD:4.5MM USB 2.0 CLR-002
NO.	PART NO.	Q'TY	UNITS	DESCRIPTION

RoHS Compliant

TOLERANCES ARE

MORETHANALL
PCB CONNECTORS
Cable ASSEMBLIES

DRAWING BY CY

X.±

CHECKED BY GENIUS

.X±

UNIT / mm

SCALE 1:1

.XX±

DATE

.XXX±

ANG±

SIZE A4

PPOJECTION

照片框

ORDER INFORMATION

UBX2-4A4A2VFCPE-E1M23-LF

SERIES

LEADFREE

1230mm

MALE TO FEMALE

PANEL EAR

FERRITE CORE

2.0 REV

4 PIN TO 4 PIN A TYPE

DESCRIPTION: USB A M/F L:1230mm

煜倫股份有限公司

www.morethanall.com