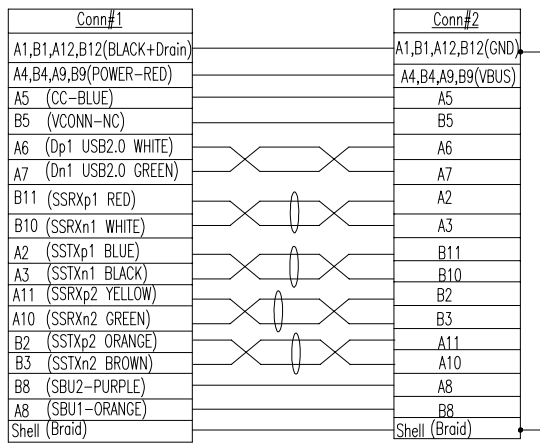


Pin Assignment



Notes:

- ELECTRICAL TEST:
 - 100% OPEN SHORT AND MIS-WIRE TEST.
 - Contact Resistance: 5ΩMAX.
 - Insulation Resistance: DC300V 0.01S 10MΩ Min
- Sample NO. S-U3-00365
- PART NO.
- "*"Dimension Must To Be QC.
- Short Circuit Between All Ground Wires and Iron Shells.

ITEM	DESCRIPTION	SPECIFICATION	Q'TY
4	Pre-Mold	PE	A/R
3	OverMold	PVC 45P Black	A/R
2	CONN1&2	USB 3.1 C PLUG With PCB(C10nf),Pin:15U" IN:Black Shell:NI	2PCS
1	CABLE	UL2725(32#x1P+DAM)x4C+32#x1P+32#x4C+26#x2C+2D+AB(16/9TC) JACKET: PVC Black OD:4.8MM	2000MM

RoHS Compliant

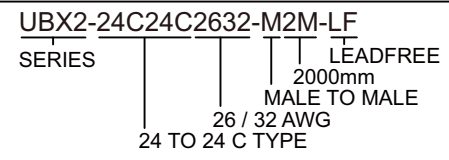
TOLERANCES ARE

MORETHANALL
PCB CONNECTORS
Cable ASSEMBLIES
煜倫股份有限公司
www.morethanall.com

DRAWING BY CY		X, ± .X ± 0.35 .XX ± 0.25 .XXX ± 0.15 ANG ± 3°
CHECKED BY GENIUS		
UNIT / mm	SCALE 1 : 1	
DATE		
SIZE A4	PJECTION	



ORDER INFORMATION



DESCRIPTION: USB 3.0 CM TO CM L=2000mm(3SR,Gen1)