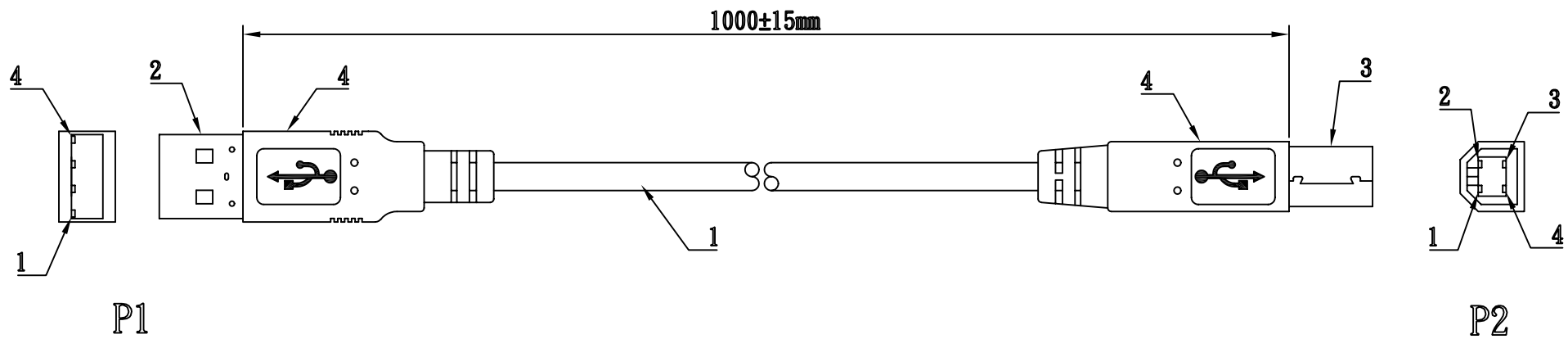


1 2 3 4 5 6 7 8 9 0

J  
I  
H  
G  
F  
E  
D  
C  
B  
A



1	紅(VCC)	1
2	白(-DATA)	2
3	綠(+DATA)	3
4	貝吉(BEIGE)	4
鐵殼	編織	鐵殼
P1	芯線顏色	P2
工作面接線		

4	PVC:UL-10196/45P 貝吉色 #118
3	USB-BM
2	USB-AM
1	UL2725 1P/2X #28/#24+AEB OD:4.8mm 貝吉色 CABLE
ITEM	DESCRIPTION

**MORETHANALL**  
CONNECTORS  
ASSEMBLIES

煜倫有限公司

PART NO. UBUB-MM1M-4A4B	
DWG NO. UBUB-MM1M-4A4B	CHECKED BY CY
FILE NO.	DRAWING BY
UNIT / mm	SCALE 1:1

TOLERANCES ARE	
X	
.XX XXX AWG	
PROJECTION	

DESCRIPTION:				
	AREA	REVISIONS	HK	DATE