

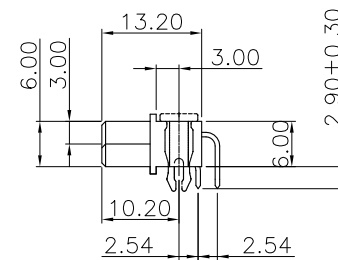
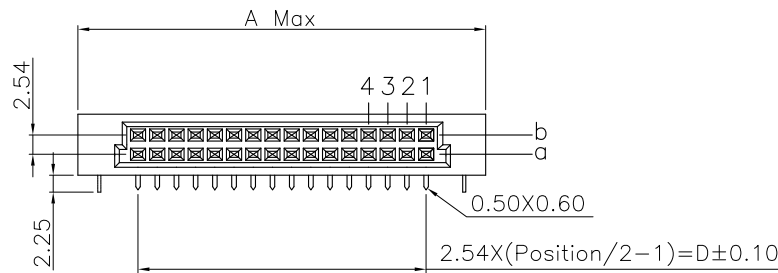
Material:

Housing: 30% Glass Filled PBT UL94V-0.
 Contacts: Phosphor Bronze
 Lock: Phosphor Bronze

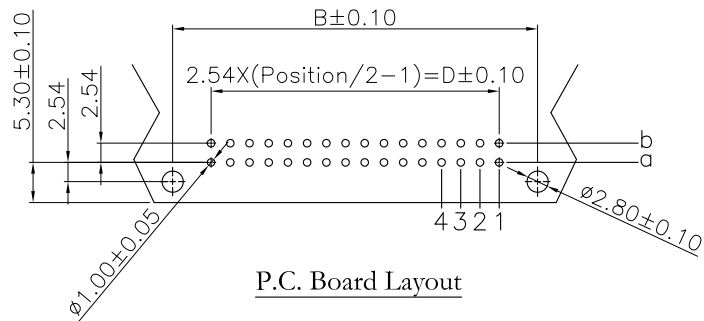
Electrical Characteristics:

Current Rating: 2 AMP.
 Dielectric Withstanding Voltage: AC1000V For 1 minute.
 Insulator Resistance: 1000MΩ min. at DC 500V.
 Contact Resistance: 30mΩ max. at DC 100mA.
 Operating Temperature: -55°C ~ +105°C .

***RoHS Compliant**



Dimension				
Position	A	B	C	D
32/16/8	54.00	48.26	44.40	38.10
20/10	38.80	33.02	29.20	22.86



P.C. Board Layout

UB-SRZS30-2Xxx-LF
 LEADFREE
 S30:SEMI/GOLD /30u" 2X16
 2X10
 1X16
 2X16E0
 2X10E0
 1X16E0

	ab	32	32	2.54mm
	ab	20	20	
	a-	32	16	5.08mm
	ab	32	16	
	ab	20	10	
	a-	32	8	
Contact Arrange	Rows with Contacts	Position	Pin	Pitch

RoHS Compliant

MORETHANALL
 CONNECTORS
 ASSEMBLIES

煜倫股份有限公司

PART NO. UB-SRZS30-2Xxx

DWG NO. UB-SRZS30-2Xxx

FILE NO.

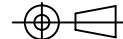
UNIT / mm

SCALE 1:1

CHECKED BY CY

DRAWING BY

PROJECTION



TOLERANCES ARE

.X ± 0.2
 .XX ±
 .XXX ±
 AWG

DESCRIP TION:

AREA

REVISIONS

HK

DATE